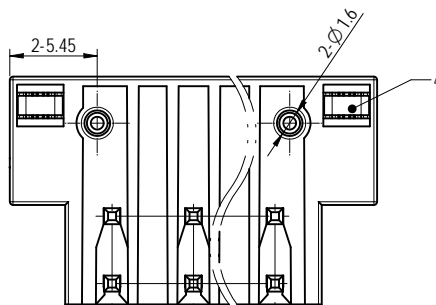
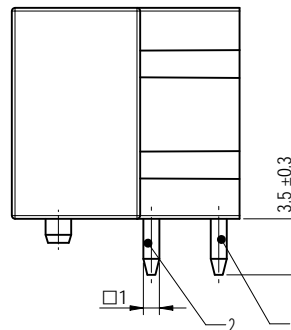
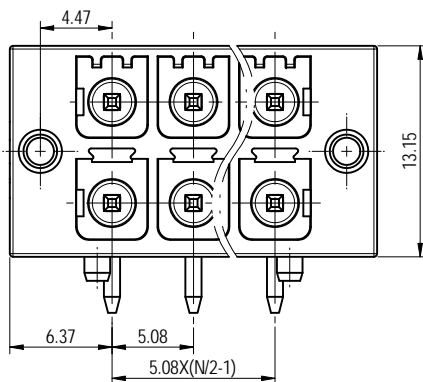
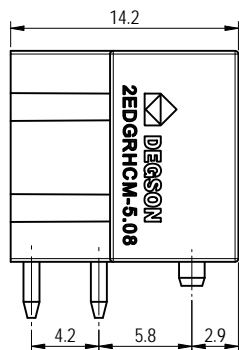
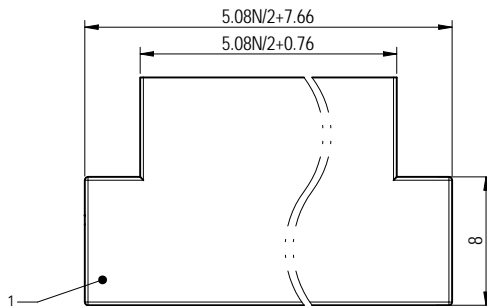
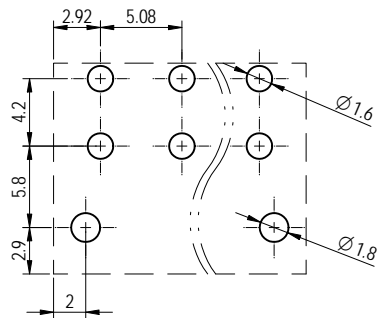
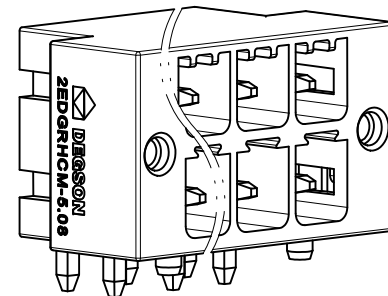


PCB LAYOUT



公差/General tolerances (mm)													D	
0	>3	>6	>10	>18	>30	>50	>80	>120	>180	>250	>315	>400	>500	0.1/10
~	3	6	10	18	30	50	80	120	180	250	315	400	500	±2
±0.12	±0.18	±0.22	±0.26	±0.31	±0.37	±0.57	±0.80	±0.93	±1.05	±1.15	±1.60	±2.20	±2.50	



ITEM	NAME OF PART	MATERIAL	NOTES
4	Nut	Steel	M2/Zn plated
3	Long pin	Copper	Sn plated
2	Short pin	Copper	Sn plated
1	Housing	PA66	UL94V-0

UL 标准/UL Standard:	B	C	D
额定电压/电流/Rated Voltage(V)/Current(A)	300V/10	/	300V/10
IEC 标准/IEC Standard:			
过压类别/Overvoltage Category/污染等级/Pollution Degree	III/3	III/2	II/2
额定电压/电流/Rated Voltage(V)/Current(A)	250/8	400/8	630/8
额定脉冲电压/(KV)/Rate Impulse Voltage(KV)	4	4	4
间距/Pitch(mm)/线数范围/Poles	5.08N-04-28P		
使用温度范围/Operating temperature(°C)	-40~+120		
符合ROHS环保要求/Conform to RoHS	Yes		

DIGISON		MATERIAL:	SURFACE/COLOR:		
APPD: 兰春华	2023.06.29	MAT NO./REV:	/	00	MAT STATUS: 批量
CHKD: 陈超	2023.06.29	NAME: ZEDGRHCM-5.08-XXP-1Y-00A(H)			
DRAFT: 姜徐涛	2023.06.29	DRAWING NO.	TYPE	DRAWING STATUS	SCALE
REV	ECN	DESCRIPTION	DRFT	DATE	SCALE
00				2023.06.29	3:1
					1/1

REV	ECN	DESCRIPTION	DRFT	DATE	SCALE	SHEET
00				2023.06.29	3:1	1/1

Transfer or duplication of this document as well as the utilization of its contents without the written consent of Digison Technology Co., Ltd. is prohibited. All rights reserved for patent. 本文件及其内容之复制或传播，或未经许可擅自使用其内容，均属侵权行为。Digison Technology Co., Ltd. 保留所有权利。未经许可，不得复制或传播本文件及其内容。所有权利保留。如有侵权，必究。