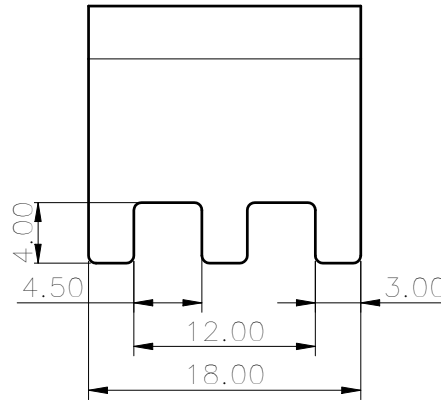
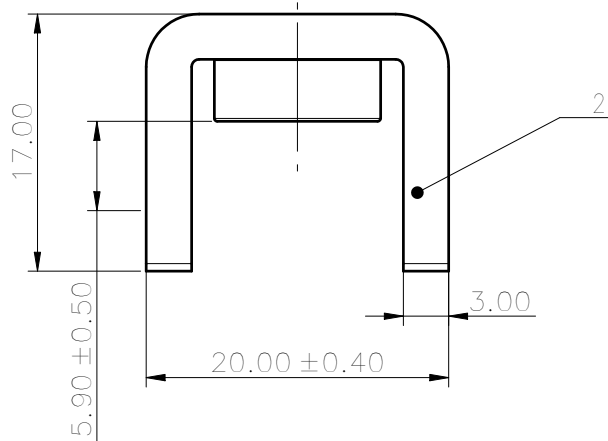
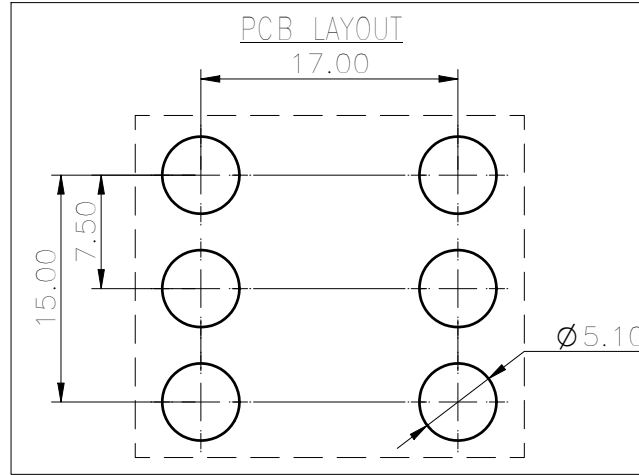
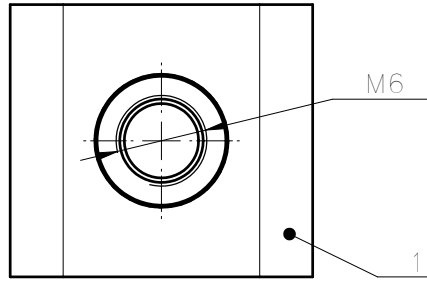


未注公差/General tolerances (mm)													0.1/10	
0	>3	>6	>10	>18	>30	>50	>80	>120	>180	>250	>315	>400		>500
~3	~6	~10	~18	~30	~50	~80	~120	~180	~250	~315	~400	~500	~500	
±0.12	±0.18	±0.22	±0.26	±0.31	±0.37	±0.57	±0.80	±0.93	±1.05	±1.15	±1.60	±2.20	±2.50	±2'



Note: The A&Z(H) in the name means: A(H) and Z(H).

2	Nut	Steel	Zn Plated
1	Pin Header	Copper alloy	Sn Plated
ITEM	NAME OF PART	MATERIAL	NOTES

额定电流/Current(A)	250
螺丝扭矩/Torque Tightening(N · m/Lb.in)	M6, 1.98/18
符合 RoHS 环保要求/Conform to RoHS	Yes

DEGSON

APPD: 蓝贵凡 2023.04.26
 CHKD: 曹利彬 2023.04.26
 DRFT: 姜民洁 2023.04.26

MATERIAL: SURFACE/COLOR:
 MAT NO./REV: 10900000063-1 / 00 MAT STATUS: 批量

NAME: **K41-00A&Z(H)**

DRAWING NO.	TYPE	DRAWING STATUS	SCALE	SHEET
200055049	CUSTOMER DRAWING	已发布	2:1	1/1

REV	ECN	DESCRIPTION	DRFT	DATE
00				

Transfer or duplication of this document as well as the utilization or communication of its contents are prohibited unless authorized in writing by Degson. All rights reserved for patent, utility model or design registrations. 除专利等明确标注外，其他内容均受法律保护。未经许可，不得复制或传播。 0.1/10