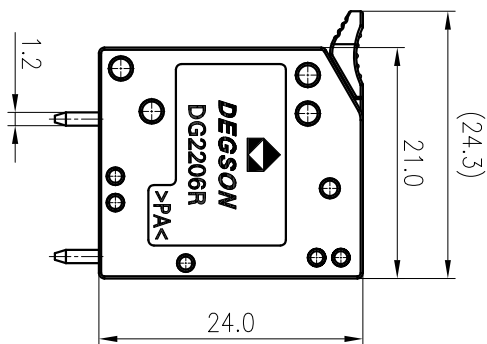
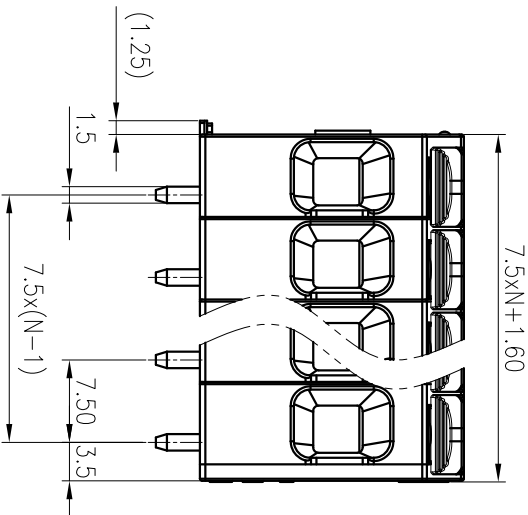
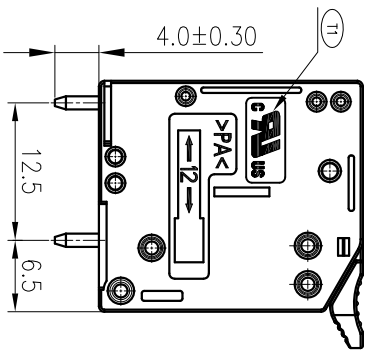


公差/General tolerances(mm)		公差/General tolerances(mm)	
0	>3	>50	>180
~	~	~	~
3	~	~	~
6	~	~	~
10	~	~	~
18	~	~	~
30	~	~	~
50	~	~	~
80	~	~	~
120	~	~	~
180	~	~	~
250	~	~	~
315	~	~	~
400	~	~	~
500	~	~	~
>500	~	~	~
± 0.12	± 0.18	± 0.22	± 0.26
± 0.31	± 0.37	± 0.45	± 0.54
± 0.63	± 0.76	± 0.90	± 1.05
± 1.15	± 1.40	± 1.70	± 2.00
± 2.50	± 3.15	± 4.00	± 5.00
± 2	± 2.5	± 3.15	± 4.00
± 5	± 6.3	± 8.0	± 10.0



N=01P:			
UL 标准/UL Standard:	B	C	D
额定电压/电流/Rated Voltage(V)/Current(A)	600/41	600/41	/
EC 标准/EC Standard:	/		
过压类别/Overvoltage Category/污染等级/Pollution Degree	III/3	III/2	II/2
额定电压/电流/Rated Voltage(V)/Current(A)	800/41	1000/41	1000/41
额定脉冲电压(KV)/Rate Impulse Voltage(KV)	8	8	8
N=02~12P:	/		
UL 标准/UL Standard:	B	C	D
额定电压/电流/Rated Voltage(V)/Current(A)	300/41	150/41	300/10
EC 标准/EC Standard:	/		
过压类别/Overvoltage Category/污染等级/Pollution Degree	III/3	III/2	II/2
额定电压/电流/Rated Voltage(V)/Current(A)	500/41	690/41	1000/41
额定脉冲电压(KV)/Rate Impulse Voltage(KV)	6	6	6
线径范围(硬线和软线)/Wire Range(rigid and flexible)(mm ² /AWG)	0.2~6.10(sol)/24~8		
剥线长度/Stripping length(mm)	11~13		
使用温度范围/Operating temperature(°C)	-40~+105		
符合RoHS环保要求/Conform to RoHS	Yes		

MATERIAL: / SURFACE: /

MAT NO.: /

STATUS: /

APPD: ldn CHH 2021.05.10

CHKD: Yu JZh 2021.05.10

NAME: DENGSON® NINGBO DEGSON ELECTRICAL CO., LTD

APPD: ldn CHH 2021.05.10

CHKD: Yu JZh 2020.01.19

DRAWING NO.: 10004267

REV	ECN	DESCRIPTION	DRFT	DATE
①	20210085	Add the UL lettering	Chen Zh	2021.05.10

TYPE: CUSTOMER DRAWING	SCALE: 1.5:1	SHEET 1/1
------------------------	--------------	-----------