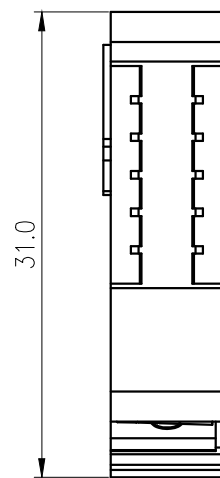
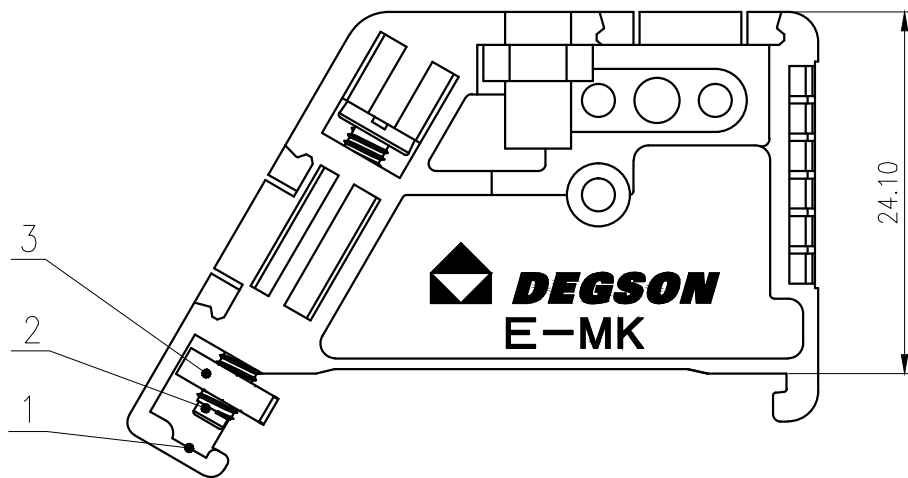
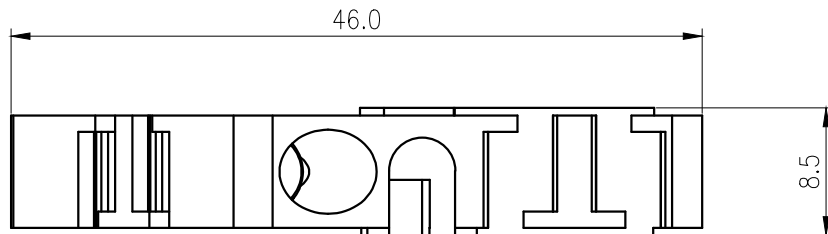


未注公差/General tolerances(mm)													0.1/10	
0	>3	>6	>10	>18	>30	>50	>80	>120	>180	>250	>315	>400		
~3	~6	~10	~18	~30	~50	~80	~120	~180	~250	~315	~400	~500	>500	
±0.12	±0.18	±0.22	±0.26	±0.31	±0.37	±0.57	±0.80	±0.93	±1.05	±1.15	±1.60	±2.20	±2.50	±2'



3	Square Nut	Stainless steel	M3/Zn Plated
2	Screw	Stainless steel	M3/Zn Plated
1	Housing	PA66	UL94V-0
ITEM	NAME OF PART	MATERIAL	NOTES
螺丝扭矩/Torque Tightening(N·m/Lb.in)			M3, 0.5/4.43
间距/Pitch(mm)/线数范围/Poles			8.5/01P
使用温度范围/Operating temperature(°C)			-40~+105
符合RoHS环保要求/Conform to RoHS			Yes

MATERIAL:		SURFACE:	
MAT NO.:	/	宁波高松电子有限公司 NINGBO DEGSON ELECTRICAL CO., LTD	
STATUS:	/		
APPD:	Li GL 2020.06.06	NAME:	
CHKD:	Mao J 2020.06.06	E-MK-01P-1Y-00A(H)	
DRFT:	Feng X 2020.06.09	DRAWING NO.:	E-MK-C01
REV	ECN	DESCRIPTION	DRFT
DATE	SIZE: A4	mm (inch)	TYPE: CUSTOMER DRAWING
		SCALE: 2:1	REV TO
		SHEET	1/1