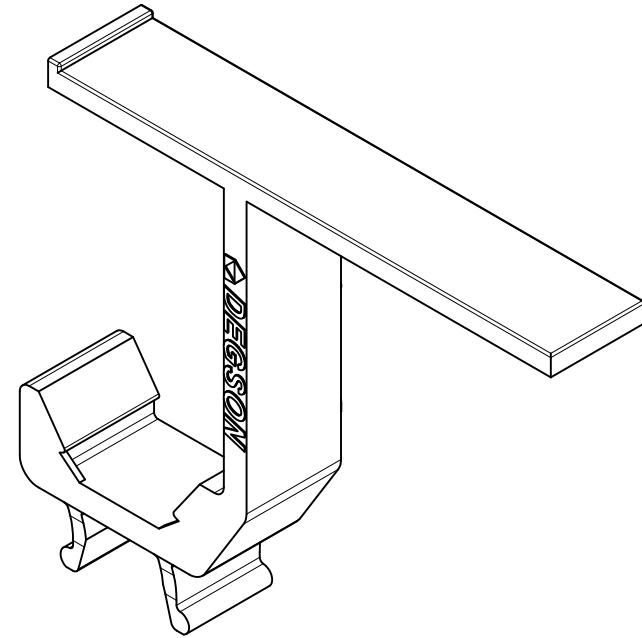
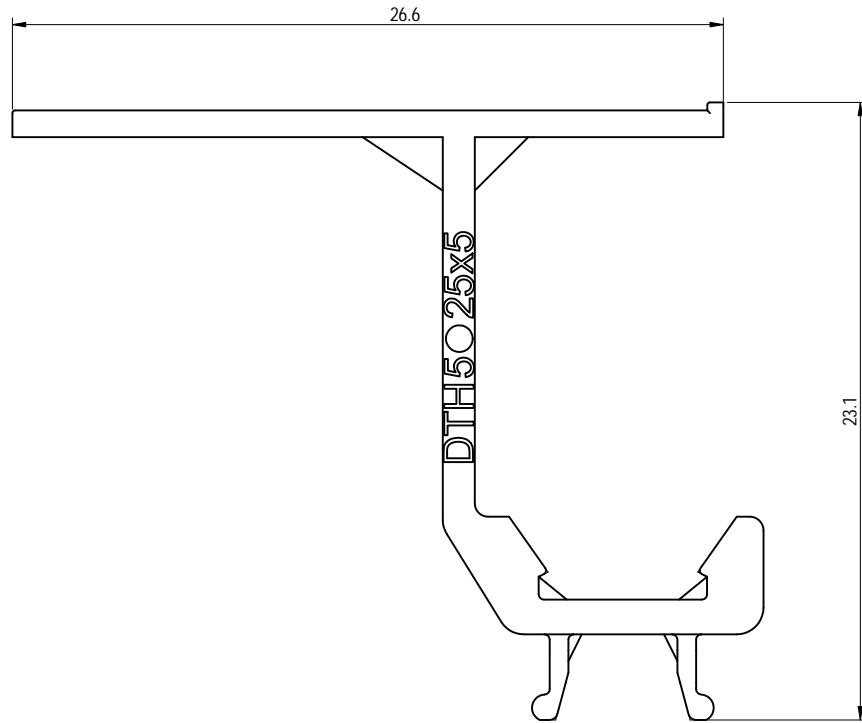
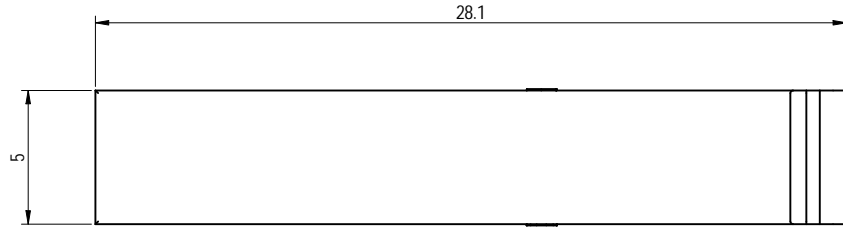


未注公差 (General Tolerances)(mm)											D		
0	>3	>6	>10	>18	>30	>50	>80	>120	>180	>250		>315	>400
±0.12	±0.18	±0.22	±0.28	±0.31	±0.37	±0.57	±0.80	±0.93	±1.05	±1.15	±1.60	±2.20	±2.50
													0.1/10
													±2



Transfer or duplication of this document as well as the utilization of its contents without the written consent of the copyright holder is prohibited. All rights reserved for patent, utility models or design registrations. 本文件及圖紙之內容，未經本公司書面同意，不得任意複製、散佈或轉讓。 任何個人或組織，未經本公司書面同意，不得將本文件內容、圖紙內容或圖紙內容，用於任何目的。 本公司保留所有權利。

使用溫度範圍 / Operating temperature(°C)	-40~+105
符合 RoHS 環保要求 / Conform to RoHS	Yes
阻燃等級 / Flame class	UL94-V0

	MATERIAL: PA66	SURFACE/COLOR: /
	MAT. NO./REV: / /	MAT STATUS: /

APP: PengM	2022.06.13	NAME	DTH5-25X5-1Y-00A(H)		
CHKD: GaoWG	2022.06.13				

00	/	/	XieD	2022.06.13	DRFT	XieD	2022.06.13	DRAWING NO.	TYPE	DRAWING STATUS	SCALE	SHEET
REV	ECN	DESCRIPTION	DRFT	DATE				/	CUSTOMER DRAWING	/	5:1	1/1

A3  
 5:1