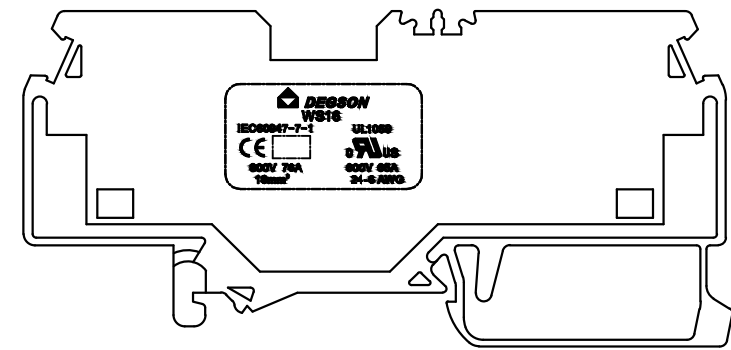
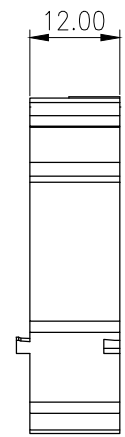
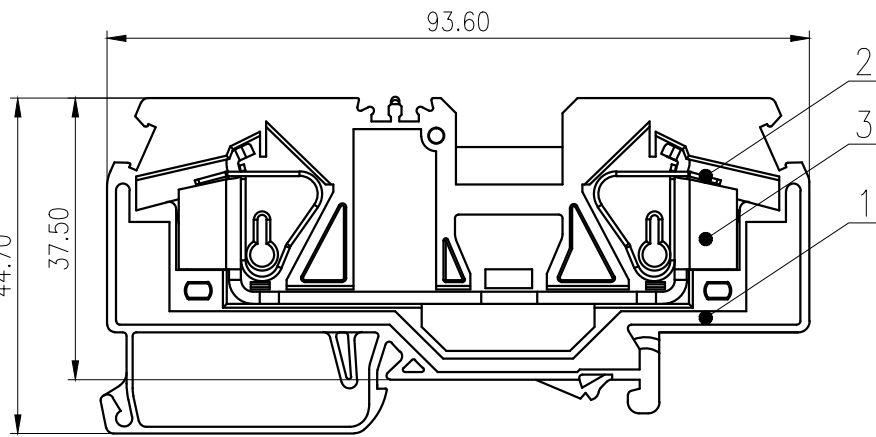
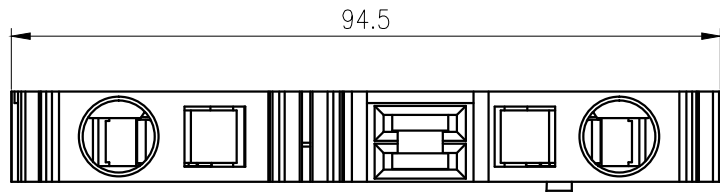


| 未注公差/General tolerances(mm) | | | | | | | | | | | | | 0.1/10 | |
|-----------------------------|-------|-------|-------|-------|-------|-------|-------|-------|-------|-------|-------|-------|--------|-----|
| 0 | >3 | >6 | >10 | >18 | >30 | >50 | >80 | >120 | >180 | >250 | >315 | >400 | | |
| ~3 | ~6 | ~10 | ~18 | ~30 | ~50 | ~80 | ~120 | ~180 | ~250 | ~315 | ~400 | ~500 | >500 | |
| ±0.12 | ±0.18 | ±0.22 | ±0.26 | ±0.31 | ±0.37 | ±0.57 | ±0.80 | ±0.93 | ±1.05 | ±1.15 | ±1.60 | ±2.20 | ±2.50 | ±2' |



| | | | |
|--|-------------|--------|-------|
| UL 标准/UL Standard: | B | C | D |
| 额定电压/电流/Rated Voltage(V)/Current(A) | 600/65 | 600/65 | 600/5 |
| EC 标准/IEC Standard: | | | |
| 过压类别/Overvoltage Category/污染等级/Pollution Degree | III/3 | / | / |
| 额定电压/电流/Rated Voltage(V)/Current(A) | 800/76 | / | / |
| 额定脉冲电压(KV)/Rate Impulse Voltage(KV) | 8.0 | / | / |
| 螺丝扭矩/Torque Tightening(N·m/Lb.in) | / | | |
| 线径范围(硬线和软线)/Wire Range(rigid and flexible)(mm ² /AWG) | 0.2~16/24~6 | | |
| 间距/Pitch(mm)/线数范围/Poles | 12.0 | | |
| 剥线长度/Stripping length(mm) | 18 | | |
| 使用温度范围/Operating temperature(°C) | -40~+105 | | |
| 符合RoHS环保要求/Conform to RoHS | Yes | | |
| 标准颜色编号/Standard color number: PANTONE / RAL | / | | |

| | | | |
|-------------------------|---|------------------------|----------------------|
| MATERIAL: / | SURFACE: / | | |
| MAT NO.: / | 宁波高松电子有限公司 NINGBO DEGSON ELECTRICAL CO., LTD | | |
| STATUS: / | | | |
| APPD: Li GL 2020.06.05 | NAME: WS16-01P-1Y-00A(H) | | |
| CHKD: Mao J 2020.06.05 | DRAWING NO.: WS16-C01 | | |
| DRFT: Wang Y 2020.06.05 | REV | TO | |
| ⊕ | SIZE: A4 | TYPE: CUSTOMER DRAWING | SCALE: 1:1 SHEET 1/1 |

| 3 | Current Carrier | Copper | Sn Plate |
|------|-----------------|----------------|----------|
| 2 | Spring | Stainlee Steel | |
| 1 | Housing | PA66 | UL94V-0 |
| ITEM | NAME OF PART | MATERIAL | NOTES |

| REV | ECN | DESCRIPTION | DRFT | DATE |
|-----|-----|-------------|------|------|
| | | | | |