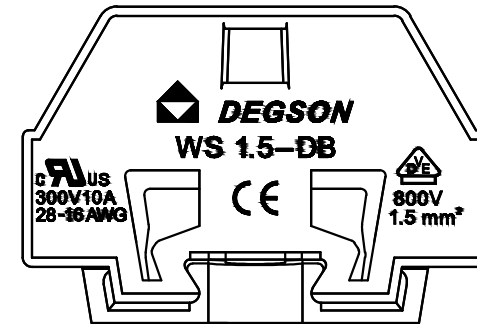
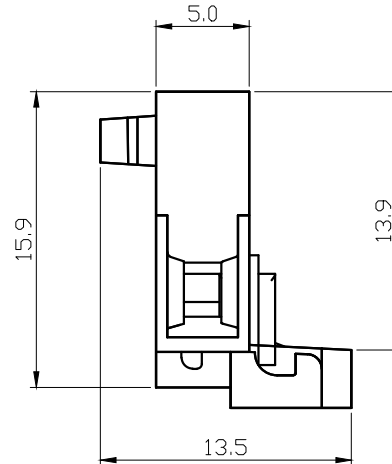
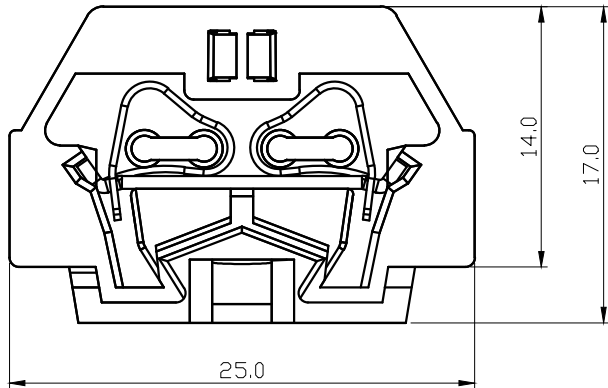
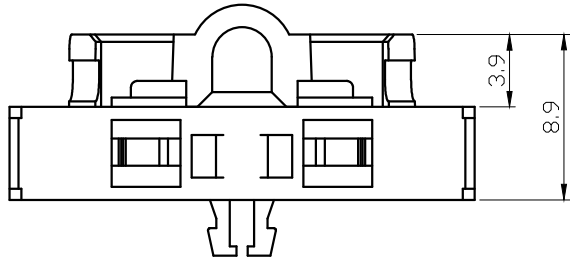


REVISION RECORD				
REV	ECN	DESCRIPTION	DRFT	DATE

UL 标准/UL Standard:	B	C	D
额定电压/电流/Rated Voltage(V)/Current(A)	300/10	/	/
IEC 标准/IEC Standard:			
过压类别/Overvoltage Category/污染等级/Pollution Degree	III/3	/	/
额定电压/电流/Rated Voltage(V)/Current(A)	800/17.5	/	/
额定脉冲电压(KV)/Rate Impulse Voltage(kV)	8.0	/	/
线径范围(硬线和软线)/Wire Range(rigid and flexible)(mm <sup>2</sup> /AWG)	0.2~1.5/28~16		
间距/Pitch(mm)	4.0		
剥线长度/Stripping length(mm)	8-9		
使用温度范围/Operating temperature(°C)	-40~+105		
符合RoHS环保要求/Conform to RoHS	Yes		
标准颜色编号/Standard color number: PANTONE / RAL	/		



3	SPRING	STAINLESS STEEL	
2	CURRENT CARRIER	COPPER ALLOY	Sn plated
1	HOUSING	PA66	UL94V-0
ITEM	NAME OF PART	MATERIAL	NOTES

1.Undimensioned tolerances:

Pitch Range In mm		Nominal Dimension Range In mm						0.1/10
TO	6	Over 6 TO 10	Over 10 TO 24	Over 30 TO 60	Over 60 TO 100	Over 100 TO 150	Over 150	
±0.15	±0.20	±0.30	±0.30	±0.50	±0.70	±1.00	±1.30	±2'

DETACHED LISTS	PART NO.:	/		
	APPD:	Li GL 2020.05.30	NAME: <b>DEGSON</b> NINGBO DEGSON ELECTRICAL CO., LTD	
	CHKD:	Mao J 2020.05.30	WS1.5-DB-01P-1Y-100A(H)	
	DRFT:	ding 2020.05.30	TITLE: CUSTOMER DRAWING	REV TO
THIRD ANGLE PROJECTION		DRAWING NO.:	WS1.5-DB-C12	SHEET 1/1
		MM (INCH)	DO NOT SCALE DRAWING	SCALE 1:1