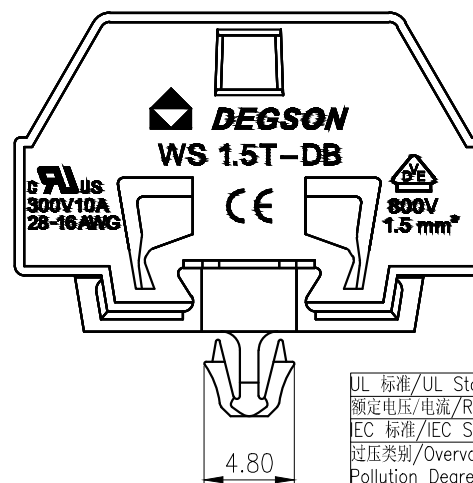
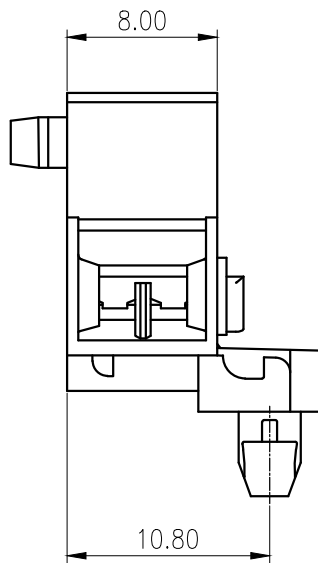
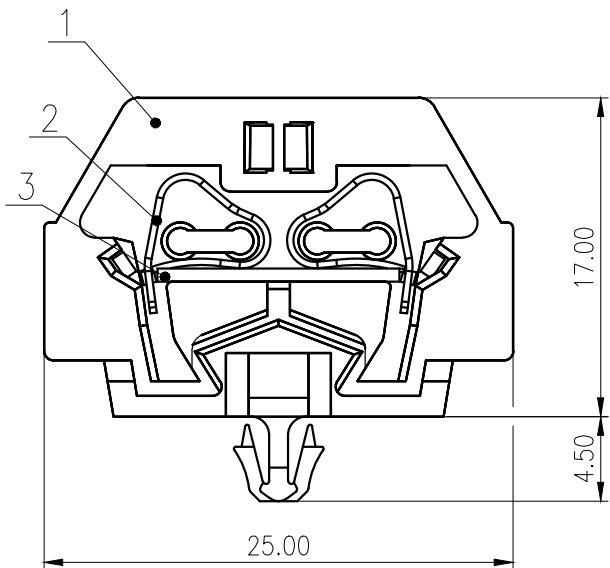
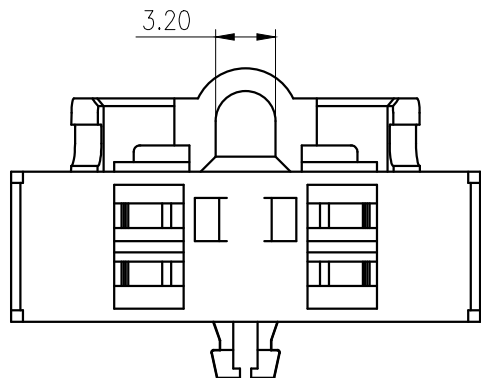


未注公差/General tolerances(mm)													0.1/10	
0	>3	>6	>10	>18	>30	>50	>80	>120	>180	>250	>315	>400		
~3	~6	~10	~18	~30	~50	~80	~120	~180	~250	~315	~400	~500	>500	
±0.12	±0.18	±0.22	±0.26	±0.31	±0.37	±0.57	±0.80	±0.93	±1.05	±1.15	±1.60	±2.20	±2.50	±2'



UL 标准/UL Standard:	B	C	D
额定电压/电流/Rated Voltage(V)/Current(A)	300/10	300/10	300/10
EC 标准/IEC Standard:			
过压类别/Overvoltage Category/污染等级/Pollution Degree	III/3	/	/
额定电压/电流/Rated Voltage(V)/Current(A)	800/17.5	/	/
额定脉冲电压(KV)/Rate Impulse Voltage(KV)	8	/	/
线径范围(硬线和软线)/Wire Range(rigid and flexible)(mm²/AWG)	0.2~1.5/28~16		
间距/Pitch(mm)	8.0		
剥线长度/Stripping length(mm)	8-9		
使用温度范围/Operating temperature(°C)	-40~+105		
符合RoHS环保要求/Conform to RoHS	Yes		
标准颜色编号/Standard color number:	/		
PANTONE / RAL	/		

MATERIAL: /	SURFACE: /		
MAT NO.: /	宁波高松电子有限公司 NINGBO DEGSON ELECTRICAL CO., LTD		
STATUS: /			
APPD: Li GL 2020.05.30	NAME: WS1.5T-DB-01P-1Y-11A(H)		
CHKD: Mao J 2020.05.30	DRAWING NO.: WS1.5T-DB-C02		
DRFT:ZhengQG 2020.05.22	REV		T2
⊕	SIZE: A4	SCALE: 2.5:1	SHEET 1/1

ITEM	NAME OF PART	MATERIAL	NOTES
3	Spring	Stainless steel	/
2	Current carrier	Copper	Sn plated
1	Housing	PA66	UL94V-0

REV	ECN	DESCRIPTION	DRFT	DATE