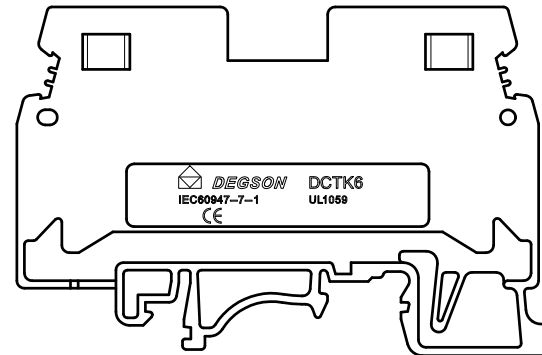
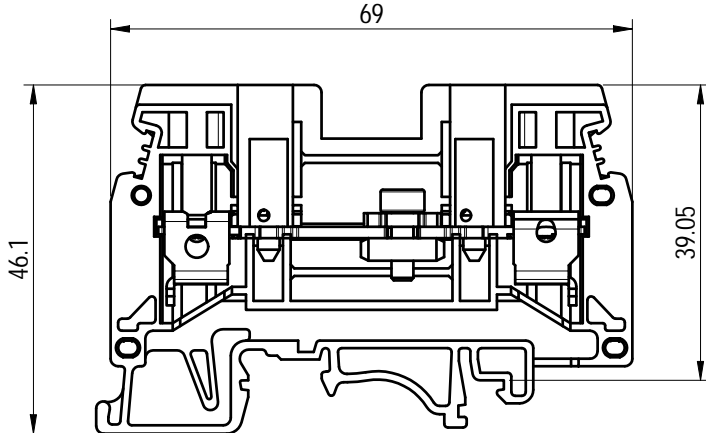
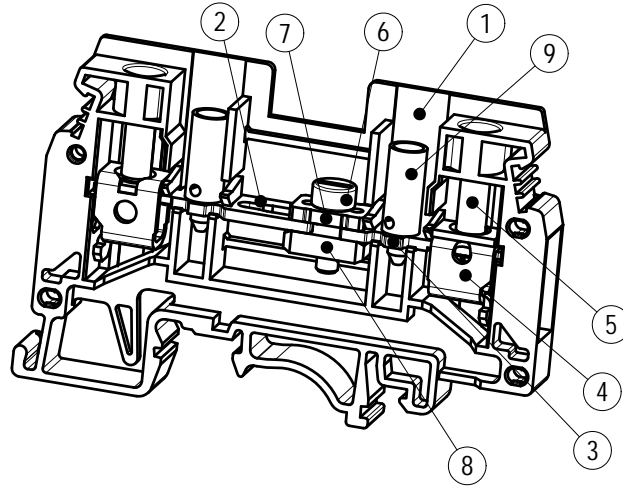


Transfer or duplication of this document as well as the utilization or communication of its content are prohibited unless authorized in writing by Degson. All rights reserved for patent, utility model or design registrations. 除专利、实用新型、外观设计注册外，其他内容均受法律保护。 未经授权，不得复制或传播。 所有权利保留。



公差/General tolerances (mm)													
0	>3	>6	>10	>18	>30	>50	>80	>120	>180	>250	>315	>400	0.1/10 ±2'
~3	~6	~10	~18	~30	~50	~80	~120	~180	~250	~315	~400	~500	
±0.12	±0.18	±0.22	±0.26	±0.31	±0.37	±0.57	±0.80	±0.93	±1.05	±1.15	±1.60	±2.20	±2.50

UL 标准/UL Standard:	B	C	D
额定电压/电流/Rated Voltage(V)/Current(A)	300V/45	300V/45	600/5
IEC 标准/IEC Standard:			
过压类别/Overvoltage Category/污染等级/Pollution Degree	III/3	III/2	II/2
额定电压/电流/Rated Voltage(V)/Current(A)	630/41	/	/
额定脉冲电压(KV)/Rate Impulse Voltage(KV)	6	/	/
接线螺丝扭矩/Connection tightening torque(N·m/Lb.in)	M4, 1.6/14.0		
桥接螺丝扭矩/Bridge tightening torque(N·m/Lb.in)	M3, 0.6/5.3		
线径范围(硬线和软线)/Wire Range(rigid and flexible)(AWG/mm²)	20~8 / 0.5~10.0		
间距/Pitch(mm)/线数范围/Poles	8.0/N=01P		
剥线长度/Stripping length(mm)	12		
使用温度范围/Operating temperature(°C)	-40~+105		
符合RoHS环保要求/Conform to RoHS	Yes		

ITEM	NAME OF PART	MATERIAL	NOTES
9	Test_plug	Copper alloy	Sn Plated
8	Cage-3	Copper alloy	Sn Plated
7	Cage-2	Steel	Zn Plated
6	Screw-2	Steel	Zn Plated
5	Screw-1	Steel	Zn Plated
4	Cage-1	Steel	Zn Plated
3	Current carrier-2	Copper	Sn Plated
2	Current carrier-1	Copper	Sn Plated
1	Housing	PA66	UL94V-0

REV	ECN	DESCRIPTION	DRFT	DATE
00	/	/	Huang RJ	2022.08.21

		MATERIAL: /	SURFACE/COLOR: /	
		MAT NO./REV: /	MAT STATUS: /	
APPD: Peng M	2022.08.21	NAME		
CHKD: Gao WG	2022.08.21	DCTK6-01P-1Y-20A(H)		
DRFT: Huang RJ	2022.08.21			
④	A4	DRAWING NO. /	TYPE CUSTOMER DRAWING	DRAWING STATUS /
		SCALE 2:1	SHEET 1/1	