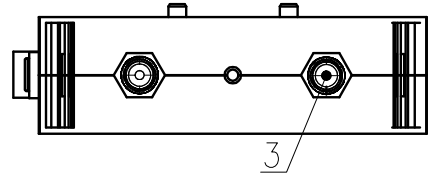
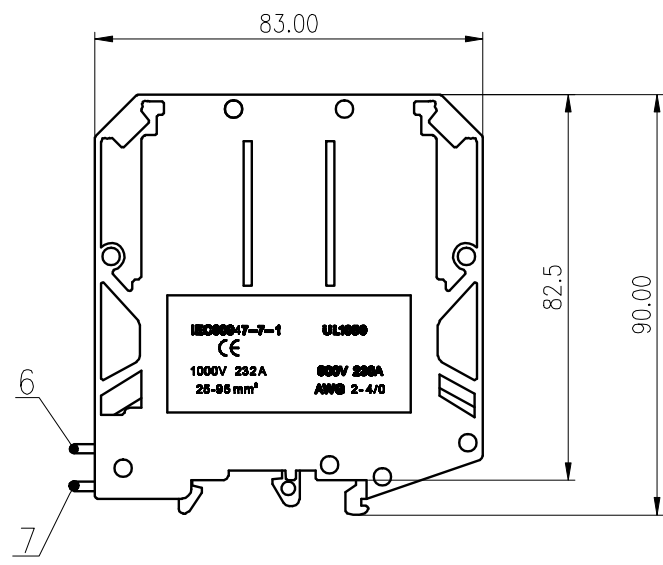


未注公差/General tolerances(mm)											0.1/10 ±2'		
0	>3	>6	>10	>18	>30	>50	>80	>120	>180	>250		>315	>400
~3	~6	~10	~18	~30	~50	~80	~120	~180	~250	~315	~400	~500	~500
±0.12	±0.18	±0.22	±0.26	±0.31	±0.37	±0.57	±0.80	±0.93	±1.05	±1.15	±1.60	±2.20	±2.50

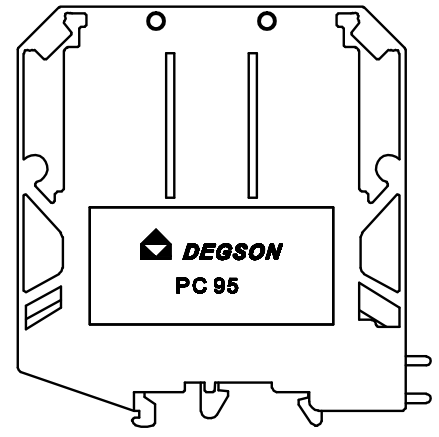
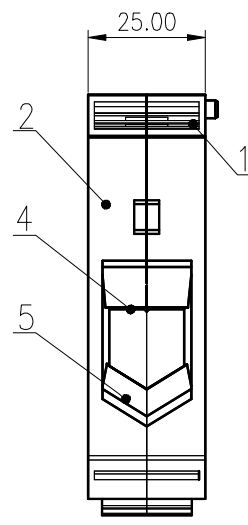
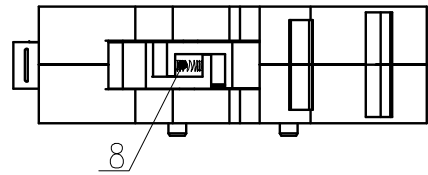
A



B



C



D

ITEM	NAME OF PART	MATERIAL	NOTES
8	Spring	Spring Steel	Ni plated
7	Sliding part 2	PA66	UL94V-0
6	Sliding part 1	PA66	UL94V-0
5	Groupware		
4	Current Carrier	Copper	Sn plated
3	Screw	Steel	Zn plated
2	Housing2	PA66	UL94V-0
1	Housing1	PA66	UL94V-0

UL 标准/UL Standard:	B	C	D
额定电压/电流/Rated Voltage(V)/Current(A)	600/230	/	/
IEC 标准/IEC Standard:			
过压类别/Overvoltage Category/污染等级/Pollution Degree	III/3	/	/
额定电压/电流/Rated Voltage(V)/Current(A)	1000/232	/	/
额定脉冲电压(KV)/Rate Impulse Voltage(KV)	8	/	/
螺丝扭矩/Torque Tightening(N·m/Lb.in)	M8, 20/177		
线径范围(硬线和软线)/Wire Range(rigid and flexible)(mm²/AWG)	25~95/2~4/0		
间距/Pitch(mm)	25.0		
剥线长度/Stripping length(mm)	33~35		
使用温度范围/Operating temperature(°C)	-40~+105		
符合RoHS环保要求/Conform to RoHS	Yes		

MATERIAL: /	SURFACE: /		
MAT NO.: /	宁波高松电子有限公司 NINGBO DEGSON ELECTRICAL CO., LTD		
STATUS: /			
APPD: Li GL 2020.05.30	NAME: PC95-01P-1Y-00A(H)		
CHKD: Mao J 2020.05.30	DRAWING NO.: PC95-C02		
DRFT:ZhengQG 2020.05.16	REV		T2
④	SIZE: A4	TYPE: CUSTOMER DRAWING	SCALE: 1:1.5 SHEET 1/1

REV	ECN	DESCRIPTION	DRFT	DATE