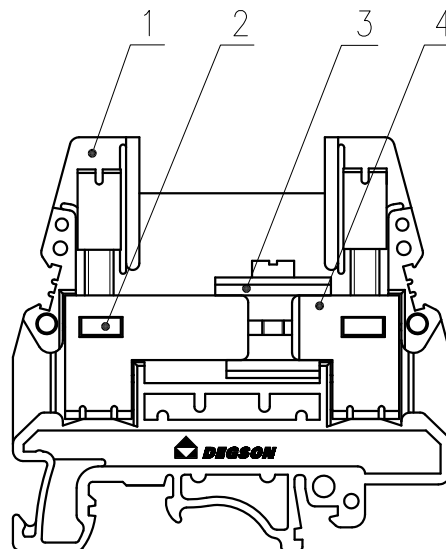
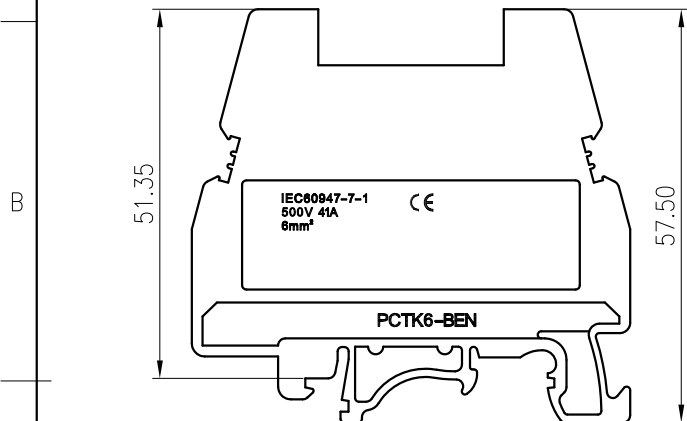
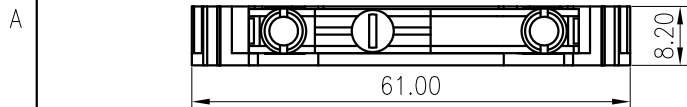


未注公差/General tolerances(mm)												0.1/10	
0	>3	>6	>10	>18	>30	>50	>80	>120	>180	>250	>315		>400
~3	~6	~10	~18	~30	~50	~80	~120	~180	~250	~315	~400	~500	>500
±0.12	±0.18	±0.22	±0.26	±0.31	±0.37	±0.57	±0.80	±0.93	±1.05	±1.15	±1.60	±2.20	±2.50



UL 标准/UL Standard:	B	C	D
额定电压/电流/Rated Voltage(V)/Current(A)	300/40	/	/
EC 标准/IEC Standard:			
过压类别/Overvoltage Category/污染等级/Pollution Degree	III/3	/	/
额定电压/电流/Rated Voltage(V)/Current(A)	500/41	/	/
额定脉冲电压(KV)/Rate Impulse Voltage(KV)	6.0	/	/
螺丝扭矩/Torque Tightening(N·m/Lb.in)	M4, 1.2/10.53		
线径范围(硬线和软线)/Wire Range(rigid and flexible)(mm²/AWG)	0.5~6/26~10		
间距/Pitch(mm)	8.20		
剥线长度/Stripping length(mm)	12-13		
使用温度范围/Operating temperature(°C)	-40~+105		
符合RoHS环保要求/Conform to RoHS	Yes		
标准颜色编号/Standard color number:	/		
PANTONE / RAL	/		

C

D

4	Right Subassembly	Copper Alloy	Ni Plated
3	Contact Hardware	Copper Alloy	Ni Plated
2	Left Subassembly	Copper Alloy	Ni Plated
1	Housing	PA66	UL94V-0

ITEM	NAME OF PART	MATERIAL	NOTES	REV	ECN	DESCRIPTION	DRFT	DATE
------	--------------	----------	-------	-----	-----	-------------	------	------

MATERIAL:	SURFACE:		
MAT NO.:	/		
STATUS:	/		
APPD: Li GL 2020.06.04	NAME: 宁波高松电子有限公司 NINGBO DEGSON ELECTRICAL CO., LTD		
CHKD: Mao J 2020.06.04	PCTK6-BEN-01P-1Y-00A(H)		
DRFT: Feng X 2020.05.27	DRAWING NO.:	PCTK6-BEN-C01	REV TO
TYPE: CUSTOMER DRAWING	SCALE: 1:1	SHEET 1/1	