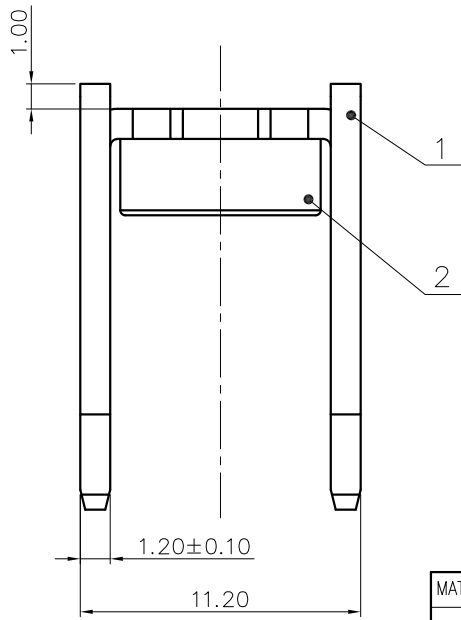
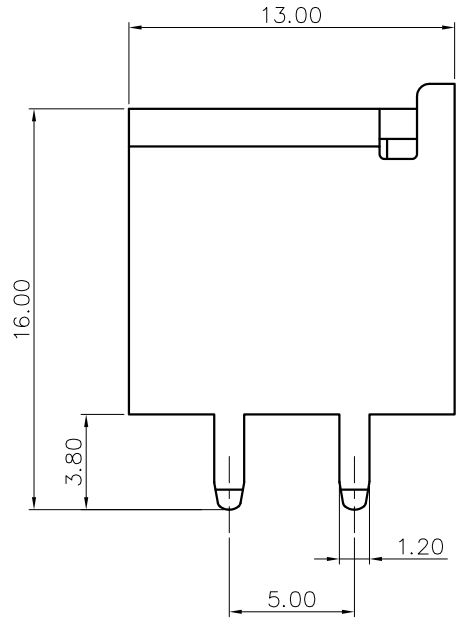


NOTES:

1. Rated current : 50A
2. Torque value : M4 , 21.26Lb.in(2.4N·m/24.48kgf.cm)
3. Dimension shall be interpreted per ASME Y14.5-2009
4. Undimensioned tolerances:

Pitch range in mm			Nominal dimension range in mm					
TO	Over TO	Over TO	TO	Over TO	Over TO	Over TO	0.1/10	
6	10	24	30	60	100	150	\leq	
± 0.15	± 0.20	± 0.30	± 0.30	± 0.50	± 0.70	± 1.00	± 1.30	$\pm 2'$

5. RoHS Compliance



K50 - 02A (H)
 (Series No.) (RoHS)
 02A-(Customer Request)

ITEM	NAME OF PART	MATERIAL	NOTES
2	Nut	Steel	M4/Zn Plated
1	Pin Header	Copper	Sn Plated

MATERIAL:		SURFACE:	
MAT NO.:	/	宁波高松电子有限公司 NINGBO DEGSON ELECTRICAL CO., LTD	
STATUS:	/		
APPD:			
CHKD:		NAME: K50-02A(H)	
DRFT: Desinly 2018.06.01	DRAWING NO.:	K50-C02	REV TO
⊕	SIZE: A4	TYPE: CUSTOMER DRAWING	SCALE: 3:1 SHEET 1/1

REV	ECN	DESCRIPTION	DRFT	DATE