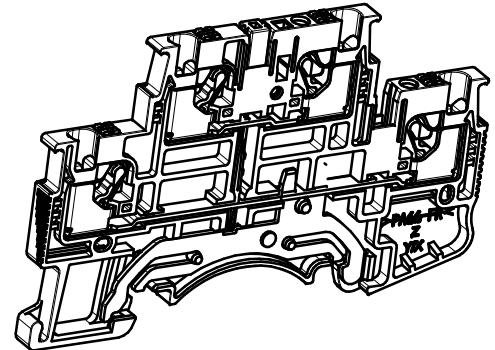
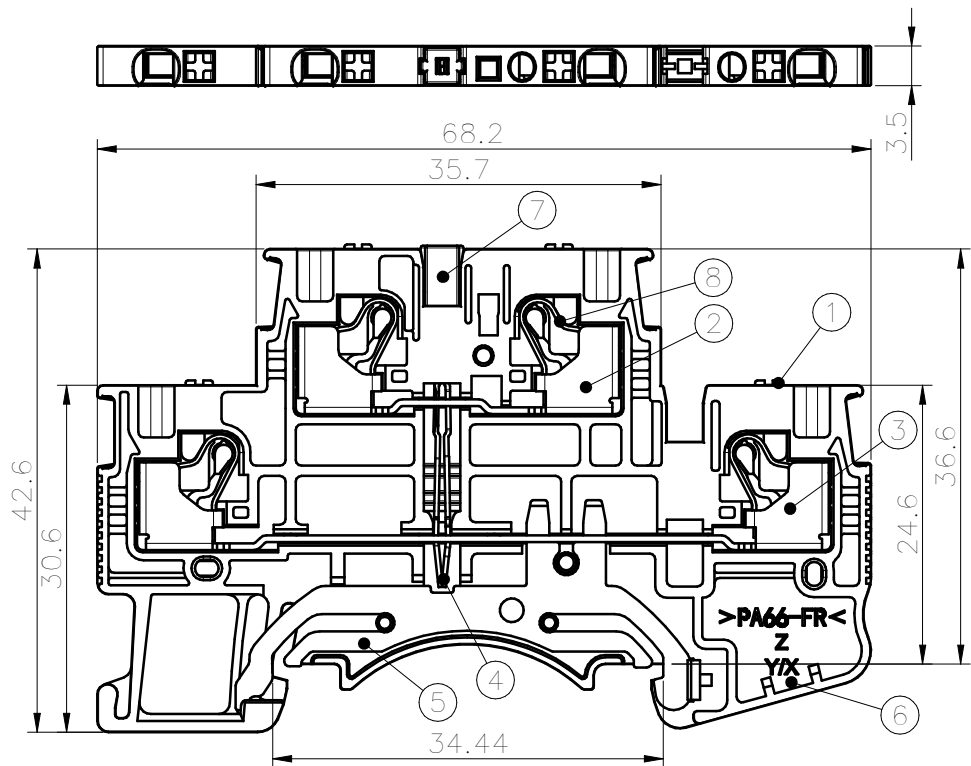
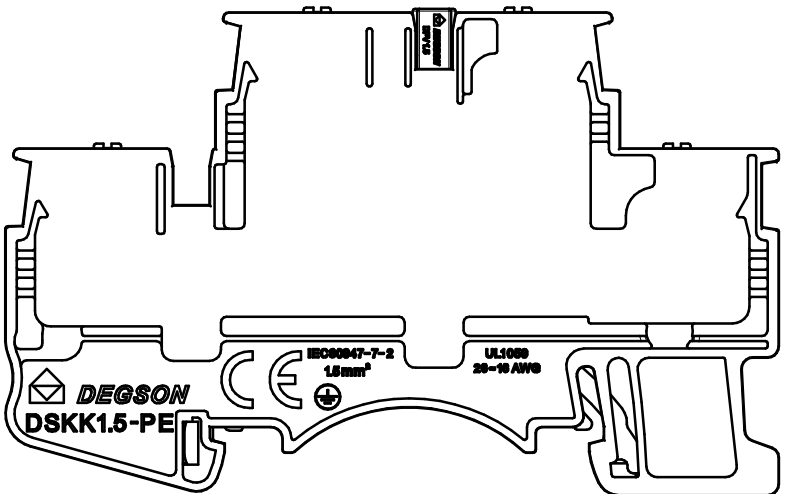


未注公差/General tolerances(mm)											D 0.1/10			
0 ~ 3	>3 ~ 6	>6 ~ 10	>10 ~ 18	>18 ~ 30	>30 ~ 50	>50 ~ 80	>80 ~ 120	>120 ~ 180	>180 ~ 250	>250 ~ 315		>315 ~ 400	>400 ~ 500	>500
±0.12	±0.18	±0.22	±0.26	±0.31	±0.37	±0.57	±0.80	±0.93	±1.05	±1.15	±1.60	±2.20	±2.50	±2'



ITEM	NAME OF PART	MATERIAL	NOTES
8	Spring	Stainless steel	/
7	Housing 2	PA66	UL94V-0
6	Housing 1	PA66	UL94V-0
5	Grounding	Copper alloy	Sn Plated
4	Current_carrier	Copper	Sn Plated
3	Long_Current_carrier	Copper	Sn Plated
2	short_Current_carrier	Copper	Sn Plated
1	Button	PA66+GF%	UL94V-0

UL 标准/UL Standard:	B	C	D
额定电压/电流/Rated Voltage(V)/Current(A)	/	/	/
IEC 标准/IEC Standard:			
过压类别/Overvoltage Category/污染等级/Pollution Degree	III/3	III/2	II/2
额定电压/电流/Rated Voltage(V)/Current(A)	/	/	/
额定脉冲电压(KV)/Rate Impulse Voltage(KV)	6	/	/
螺丝扭矩/Torque Tightening(N·m/Lb.in)			
线径范围(硬线和软线)/Wire Range(rigid and flexible)(AWG/mm <sup>2</sup> )	26~16, 14SOL / 0.14~1.5conductor cross section flexible, with ferrule with plastic sleeve max.0.5mm <sup>2</sup> (stripping length: 8mm)		
间距/Pitch(mm)/线数范围/Poles	3.50/N=01P		
剥线长度/Stripping length(mm)	8~10		
使用温度范围/Operating temperature(°C)	-40~+105		
符合 RoHS 环保要求/Conform to RoHS	Yes		
标准颜色编号/Standard color number: PANTONE / RAL	/		



		MATERIAL: /	SURFACE: /		
APPD: Li GL 2022.05.06		MAT NO./REV: /		MAT STATUS: /	
CHKD: Ma EK 2022.05.06		NAME			
DRFT: Ma EK 2022.05.06		DSKK1.5-PE-01P-1C-00A(H)			
DRAWING NO. /		TYPE		DRAWING STATUS	
/		CUSTOMER DRAWING		/	
SCALE		SCALE		SHEET	
1.5:1		1.5:1		1/1	

REV	ECN	DESCRIPTION	DRFT	DATE
00	/	/	Ma EK	2022.05.06

Transfer or duplication of this document as well as the utilization of its contents for any purpose without the written consent of DEGSON shall be strictly prohibited. All rights reserved for patent, utility model or design registrations. 非经书面明确授权, 否则禁止转让、复制、利用、交流本文件的内容, 否则将依法追究法律责任。 本公司保留对涉及发明、实用新型和外观设计的所有权利。