

未注公差/General tolerances(mm)											D 0.1/10		
0	>3	>6	>10	>18	>30	>50	>80	>120	>180	>250		>315	>400
~3	~6	~10	~18	~30	~50	~80	~120	~180	~250	~315	~400	~500	~2.50
±0.12	±0.18	±0.22	±0.26	±0.31	±0.37	±0.57	±0.80	±0.93	±1.05	±1.15	±1.60	±2.20	±2.50



A

A

B

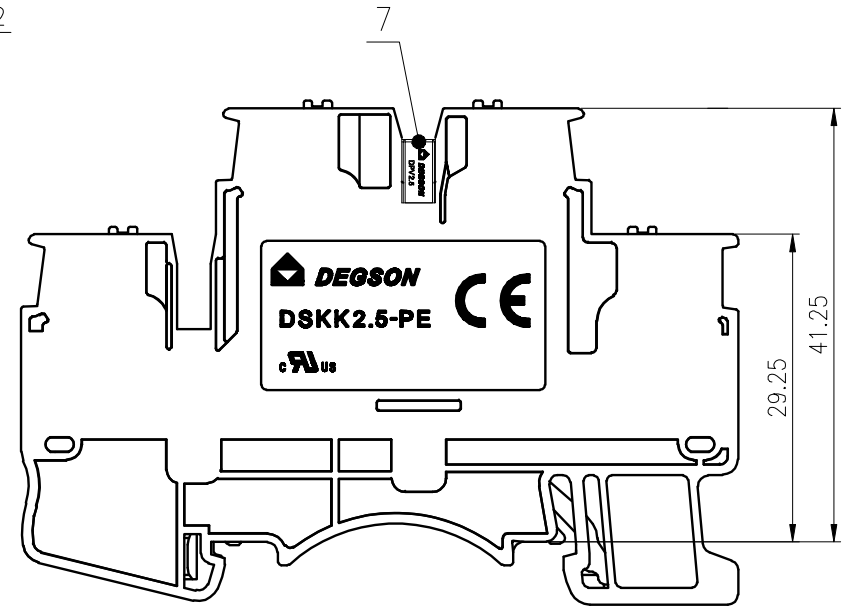
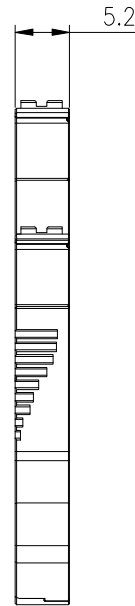
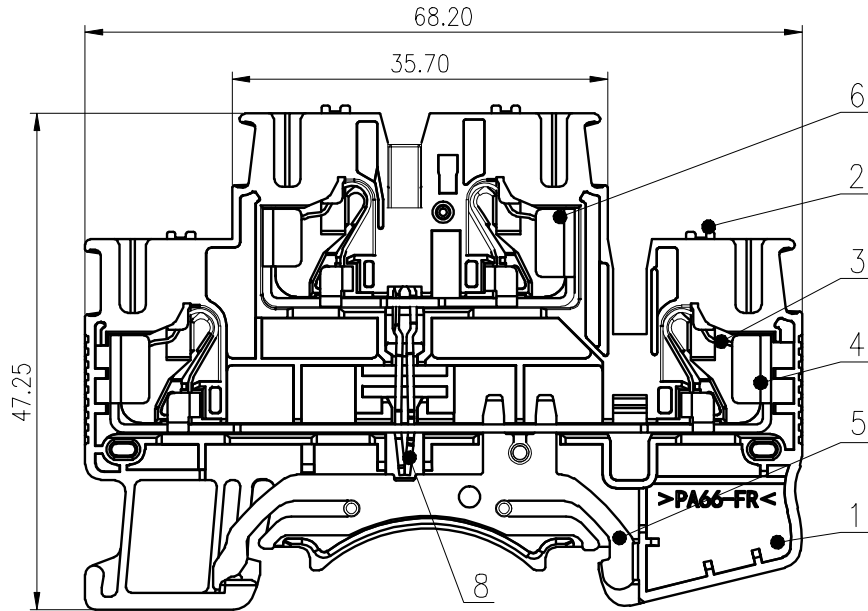
B

C

C

D

D



8	Current carrier 3	Copper	Sn Plated
7	Housing 2	PA66	UL94 V-0
6	Current carrier 2	Copper	Sn Plated
5	Grounding	Copper alloy	Sn Plated
4	Current carrier 1	Copper	Sn Plated
3	Spring	Stainless steel	/
2	Button	PA66-GF	UL94 V-0
1	Housing 1	PA66	UL94 V-0
ITEM	NAME OF PART	MATERIAL	NOTES

REV	ECN	DESCRIPTION	DRFT	DATE

MATERIAL: /	SURFACE: /		
MAT NO.: /	宁波高松电子有限公司 NINGBO DEGSON ELECTRICAL CO., LTD		
STATUS: /			
APPD: LiGL 2020.05.26	NAME: DSKK2.5-PE-01P-1C-00A(H)		
CHKD: Mao J 2020.05.26	DRAWING NO.: DSKK2.5-PE-C01		REV T1
DRFT: ChenK 2019.11.13	TYPE: CUSTOMER DRAWING		SCALE: 1:1 SHEET 1/1