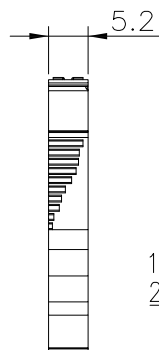
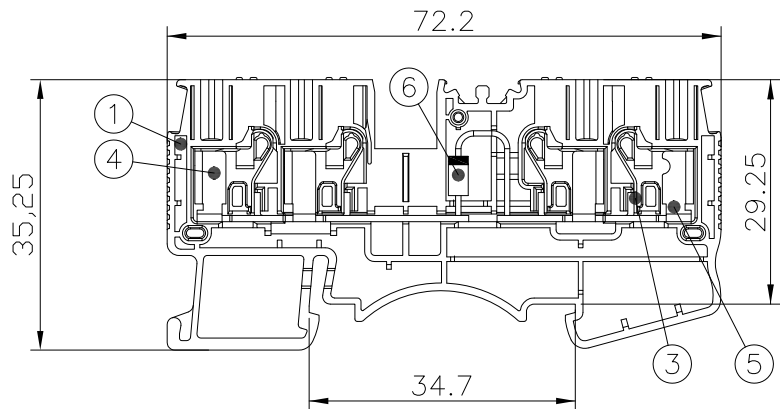
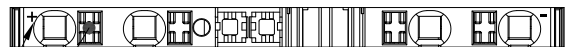
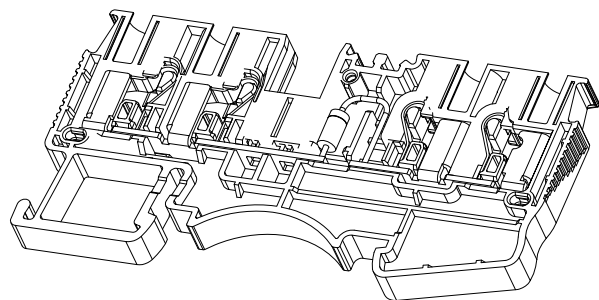
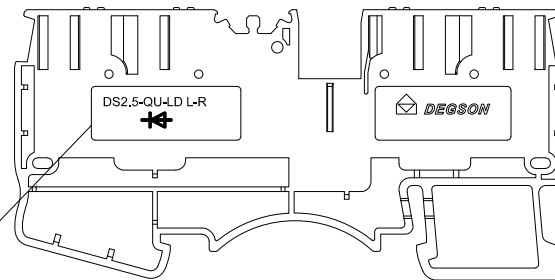


未注公差/General tolerances(mm)														
0	>3	>6	>10	>18	>30	>50	>80	>120	>180	>250	>315	>400	>500	0.1/10 ±2'
~3	~6	~10	~18	~30	~50	~80	~120	~180	~250	~315	~400	~500		
±0.12	±0.18	±0.22	±0.26	±0.31	±0.37	±0.57	±0.80	±0.93	±1.05	±1.15	±1.60	±2.20	±2.50	
额定电压/电流/Rated Voltage(V)/Current(A)												250/1A		
最大反向电压/Reverse Voltage(KV)												1.3		
线径范围(硬线和软线)/Wire Range(rigid and flexible)(AWG/mm <sup>2</sup> )												26-12 / 0.2-2.5&4(sol)		
间距/Pitch(mm)												5.2		
剥线长度/Stripping length(mm)												10-12		
使用温度范围/Operating temperature(°C)												-40~+105		
符合RoHS环保要求/Conform to RoHS												Yes		

1.Color:Black  
2.Front: Arial



1.Color:Black  
2.Front: Arial



6	Diode	/	/
5	Current_carrier 2	Copper	Sn Plated
4	Current_carrier 1	Copper	Sn Plated
3	Spring	Stainless steel	/
2	Button	PA66+GF%	UL94 V-0
1	Housing	PA66	UL94 V-0
ITEM	NAME OF PART	MATERIAL	NOTES

		MATERIAL: /		SURFACE: /	
APPD: LiGL 2021.08.16		MAT. NO./REV: /		MAT. STATUS: /	
CHKD: MoEK 2021.08.12		NAME			
DRFT: YanH 2021.08.12		DS2.5-QU-LD L-R-OIP-IY-00A(H)			
00	/	/	YanH	2021.08.12	DRFT: YanH 2021.08.12
REV	ECN	DESCRIPTION	DRFT	DATE	DRAWING NO.
/	/	/	/	/	/
		A4		CUSTOMER DRAWING	
		2:1		DRAWING STATUS: /	
		I/1		SCALE: /	
		SHEET		SHEET	