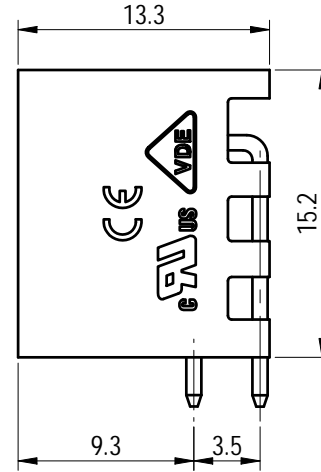
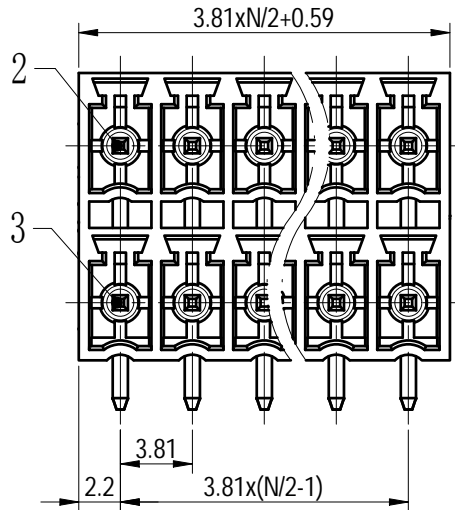
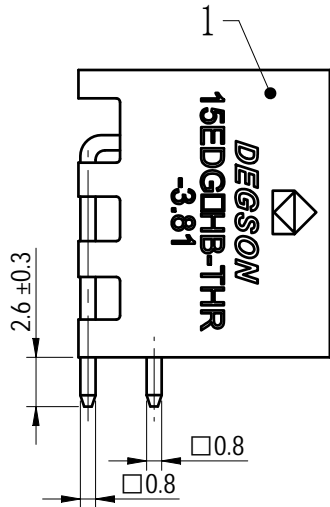
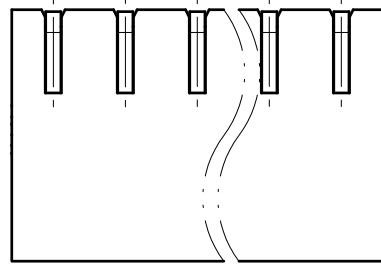
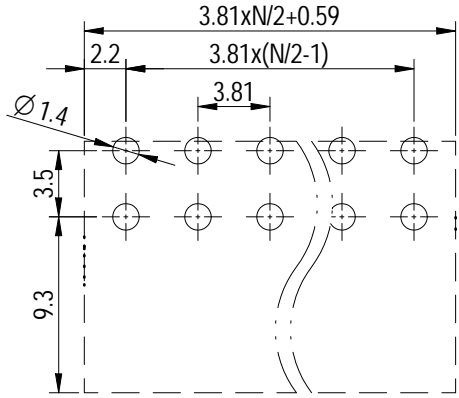
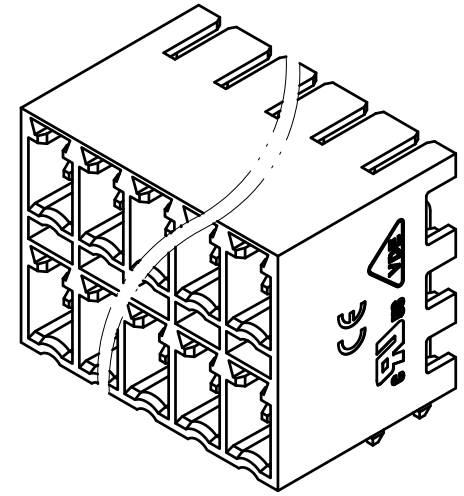


PCB LAYOUT



未注公差/General tolerances (mm)												0.1/10		
0 ~ 3	>3 ~ 6	>6 ~ 10	>10 ~ 18	>18 ~ 30	>30 ~ 50	>50 ~ 80	>80 ~ 120	>120 ~ 180	>180 ~ 250	>250 ~ 315	>315 ~ 400		>400 ~ 500	>500
±0.12	±0.18	±0.22	±0.26	±0.31	±0.37	±0.57	±0.80	±0.93	±1.05	±1.15	±1.60	±2.20	±2.50	±2'



Note:  
The A&Z (H) in the name means: A(H) and Z(H).

ITEM	NAME OF PART	MATERIAL	NOTES
3	Pin 2	Copper	Sn Plated
2	Pin 1	Copper	Sn Plated
1	Housing	Thermoplastic	UL94V-0
UL 标准/UL Standard:			
额定电压/电流/Rated Voltage(V)/Current(A)	B	C	D
	300/8	/	300/8
IEC 标准/IEC Standard:			
过压类别/Overvoltage Category/污染等级/Pollution Degree	III/3	III/2	II/2
额定电压/电流/Rated Voltage(V)/Current(A)	160/8	160/8	250/8
额定脉冲电压(KV)/Rate Impulse Voltage(KV)	2.5	2.5	2.5
间距/Pitch(mm)/线数范围/Poles	3.81/N=04~48P		
使用温度范围/Operating temperature(°C)	-40~+130		
符合RoHS环保要求/Conform to RoHS	Yes		



MATERIAL:	SURFACE/COLOR:
MAT NO./REV: - / 00	MAT STATUS: 批量

APPD: 兰春华	2023.03.08	NAME 15EDGRHB-THR-3.81-XXP-1Y-00A&Z(H)
CHKD: 龚耀志	2023.03.08	
DRFT: 朱岳鹏	2023.03.08	

REV	ECN	DESCRIPTION	DRFT	DATE	DWG NO.	TYPE	DRAWING STATUS	SCALE	SHEET
00			朱岳鹏	2023.03.08	200020026	CUSTOMER DRAWING	已发布	2.5:1	1/1

Transfer or duplication of this document as well as the utilization or communication of its content are prohibited unless authorized in writing by DEGSON. All rights reserved for patent. 除专利等明确标注外，其他标注均不作为侵权的依据。 未经授权，禁止复制或传播。 未经授权，禁止复制或传播。 未经授权，禁止复制或传播。