

REVISION RECORD

REV	ECN	DESCRIPTION	DRFT	DATE
-----	-----	-------------	------	------

H

G

F

E

C

B

A

H

G

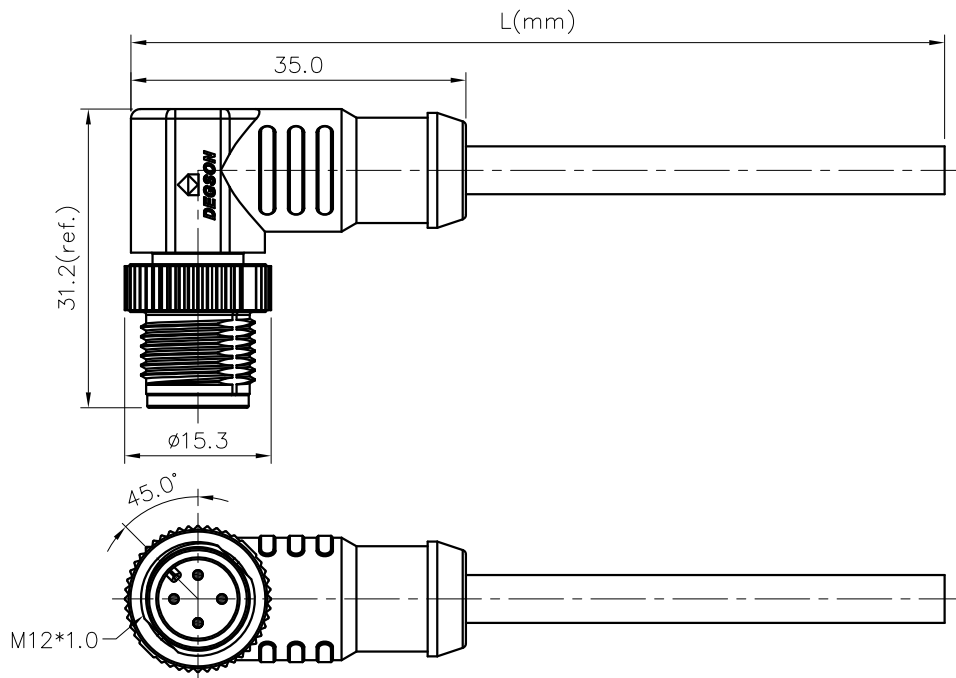
F

E

C

B

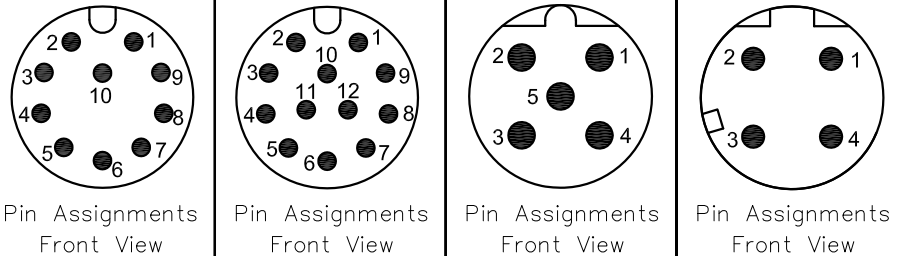
A



NOTES:

- Rated voltage/current : 10pin A: 30V / 1.5A  
12pin A: 30V / 1.5A  
5pin B: 60V / 4A  
4pin D: 250V / 4A
- Withstanding voltage : 10,12pin: AC500V/1Min  
5pin B: AC1120V/1Min  
4pin D: AC1500V/1Min
- Levels of protection: IP68
- Cable specifications :  
10pin A: 10C\*26AWG/0.14mm<sup>2</sup>,Shield,UL2517/UL20549  
12pin A: 12C\*26AWG/0.14mm<sup>2</sup>,Shield,UL2517/UL20549  
5pin B: 5C\*22AWG/0.34mm<sup>2</sup>,Shield,UL2517/UL20549  
4pin D: 4C\*22AWG/0.34mm<sup>2</sup>,Shield,CAT 5E
- Wire connection mode: soldering
- Operating temperature: PVC Cable: -25°C~+85°C  
PUR Cable: -25°C~+80°C
- RoHS Compliance
- Tolerance : ±0.5mm

10pin A Coding    12pin A Coding    5pin B Coding    4pin D Coding



10pin A Coding		12pin A Coding		5pin B Coding		4pin D Coding	
Shield	Braid	12	Red/Blue				
10	Violet	10	Violet				
9	Red	9	Red				
8	Grey	8	Grey				
7	Black	7	Black				
6	Yellow	6	Yellow	Shield	Braid		
5	Pink	5	Pink	5	Grey	Shield	Braid
4	Green	4	Green	4	Black	4	Blue
3	White	3	White	3	Blue	3	Orange
2	Blue	2	Blue	2	White	2	White
1	Brown	1	Brown	1	Brown	1	Yellow
Pin	Wire Color	Pin	Wire Color	Pin	Wire Color	Pin	Wire Color
	Pin Out		Pin Out		Pin Out		Pin Out

PMSH-M12X-XXP-MM-SR8XXX-00A(H)

Coding: A,B,D  
Pin number: 03,04,  
05,06,08,  
10,12

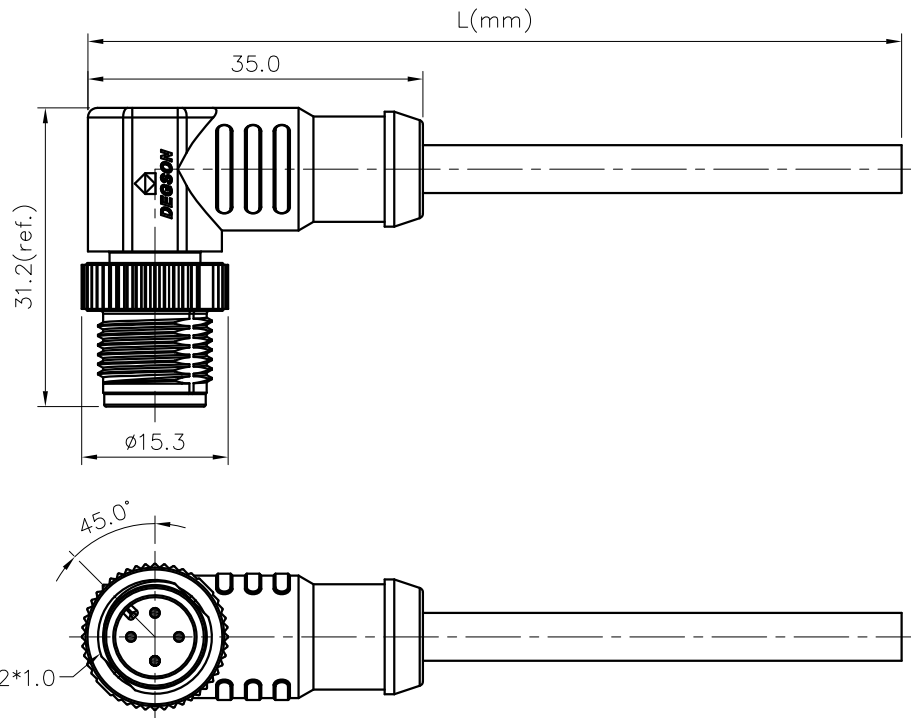
Cable length L:  
01: 1M  
...  
99: 99M  
The line grows business trip:  
01~05m: ± 50mm  
06~10m: ± 100mm  
11~30m: ± 200mm  
31~99m: ± 500mm

Cable jacket:  
A: PVC UL2517;  
B: PUR UL20549  
C: PVC UL2517 For UL Approve  
D: PUR UL20549 For UL Approve  
E: CAT 5E For D-code

DETACHED LISTS	PART NO.: PMSHM12XXXPMMSR8XXX00AH		宁波高松电子有限公司 NINGBO DEGSON ELECTRICAL CO., LTD	
	APPD:		NAME: PMSH-M12X-XXP-MM-SR8XXX-00A(H)	
	CHKD:		TITLE: CUSTOMER DRAWING	
	DRFT: SQ 2019.08.31		REV: D0-2	DATE: 2019.08.31
THIRD ANGLE PROJECTION		DRAWING NO.: XXXXXXXX-XX-CXX		SHEET: 2/2
		DO NOT SCALE DRAWING		SCALE: 1:1

REVISION RECORD

REV	ECN	DESCRIPTION	DRFT	DATE
-----	-----	-------------	------	------



NOTES:

- Rated voltage/current : 3pin A: 250V / 4A  
4pin A: 250V / 4A  
5pin A: 60V / 4A  
6pin A: 30V / 2A  
8pin A: 30V / 2A
- Withstanding voltage : 3,4pin: AC1500V/1Min  
5pin: AC1120V/1Min  
6,8pin: AC500V/1Min
- Levels of protection: IP68
- Cable specifications :  
3pin A: 3C\*22AWG/0.34mm<sup>2</sup>,Shield,UL2517/UL20549  
4pin A: 4C\*22AWG/0.34mm<sup>2</sup>,Shield,UL2517/UL20549  
5pin A: 5C\*22AWG/0.34mm<sup>2</sup>,Shield,UL2517/UL20549  
6pin A: 6C\*24AWG/0.25mm<sup>2</sup>,Shield,UL2517/UL20549  
8pin A: 8C\*24AWG/0.25mm<sup>2</sup>,Shield,UL2517/UL20549
- Wire connection mode: soldering
- Operating temperature: PVC Cable: -25°C~+85°C  
PUR Cable: -25°C~+80°C
- RoHS Compliance
- Tolerance : ±0.5mm

3pin A Coding	4pin A Coding	5pin A Coding	6pin A Coding	8pin A Coding
Pin Assignments Front View	Pin Assignments Front View	Pin Assignments Front View	Pin Assignments Front View	Pin Assignments Front View
Shield	Braid	Shield	Braid	Shield
4	Black	4	Black	4
3	Blue	3	Blue	3
1	Brown	2	White	2
Pin	Wire Color	Pin	Wire Color	Pin
Pin Out	Pin Out	Pin Out	Pin Out	Pin Out

PMSH-M12X-XXP-MM-SR8XXX-00A(H)

Coding: A,B,D

Pin number: 03,04, 05,06,08, 10,12

Cable length L: 01: 1M ... 99: 99M  
The line grows business trip: 01~05m: ± 50mm 06~10m: ± 100mm 11~30m: ± 200mm 31~99m: ± 500mm

Cable jacket:  
A: PVC UL2517;  
B: PUR UL20549  
C: PVC UL2517 For UL Approve  
D: PUR UL20549 For UL Approve  
E: CAT 5E For D-code

DETACHED LISTS	PART NO.: PMSHM12XXXPMSR8XXX00AH	宁波高松电子有限公司 NINGBO DEGSON ELECTRICAL CO., LTD	
	APPD:	NAME: PMSH-M12X-XXP-MM-SR8XXX-00A(H)	
	CHKD:	TITLE: CUSTOMER DRAWING	
	DRFT: SQ 2019.08.31	REV: D0-2	SHEET: 1/2
		DRAWING NO.: XXXXXXXX-XX-CXX	SCALE: 1:1
THIRD ANGLE PROJECTION		DO NOT SCALE DRAWING	