

REVISION RECORD				
REV	ECN	DESCRIPTION	DRFT	DATE

Technical characteristics:

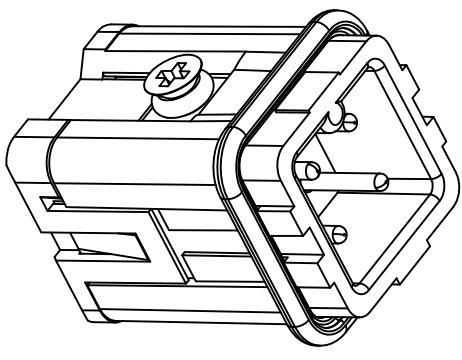
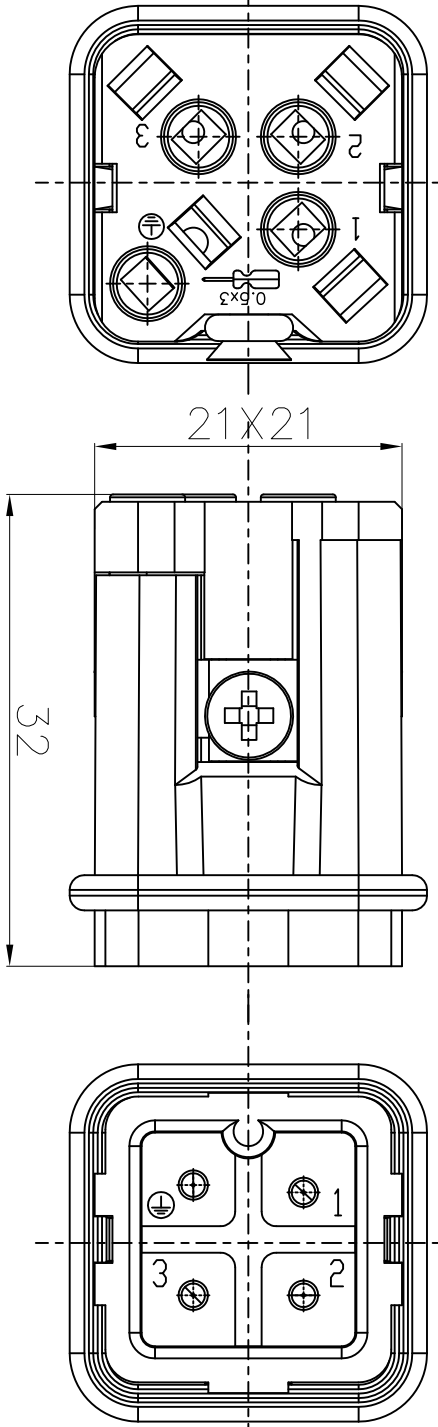
Specifications
 DIN EN 60 664-1
 DIN EN 61 984



Inserts

- 01. Number of contacts :3+PE
- 02. Rated Current :10A
- 03. Rated Voltage conductor-ground :230V
- 04. Rated Voltage conductor-conductor :400V
- 05. Pollution degree :3
- 06. Rated impulse voltage :4kv
- 07. or:10A/250V/4KV/3
- 08. Insulation resistance :≥10¹⁰Ω
- 09. Material:Polycarbonate
- 10. Colour:RAL 7032(Light grey)
- 11. Rated voltage acc. to UL/CSA:600V
- 12. Limiting temperatures : -40℃~+125℃
- 13. Flammability acc. to UL94:V0
- 14. Mechanical working life (mating cycles) :≥500

Contacts

- 01. Material:Copper alloy
- 02. Surface:hard-silver plated
- 03. Contact resistance :≤3mΩ
- 04. Terminal :Cage-clamp
- 05. Wire gauge :0.2-2.5mm² (AWG 26-14)
- 06. Stripping length :9.0mm
- 07. Rohs Compliance



DETACHED LISTS			
PART NO.:	DA003MS	 宁波高松电子有限公司 NINGBO DEGSON ELECTRICAL CO., LTD	
APPR.:			
CHKD.:			
NAME:	DA-003-MS	REV	DO-1
DRFT:	Mr. Yang 2016.06.16	TITLE: CUSTOMER DRAWING	
THIRD ANGLE PROJECTION		DRAWING NO.:	DA-003-MS-E01
		DO NOT SCALE DRAWING	SHEET
		SCALE	1/1
			2:1

A 8 7 6 5 4 3 2 1