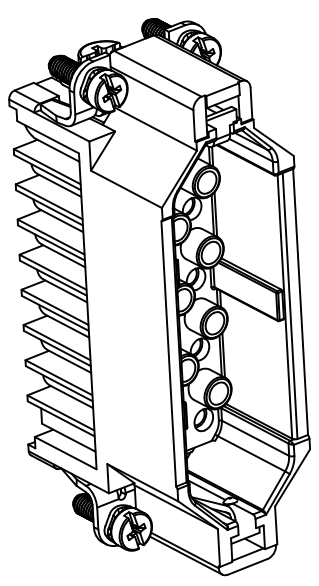
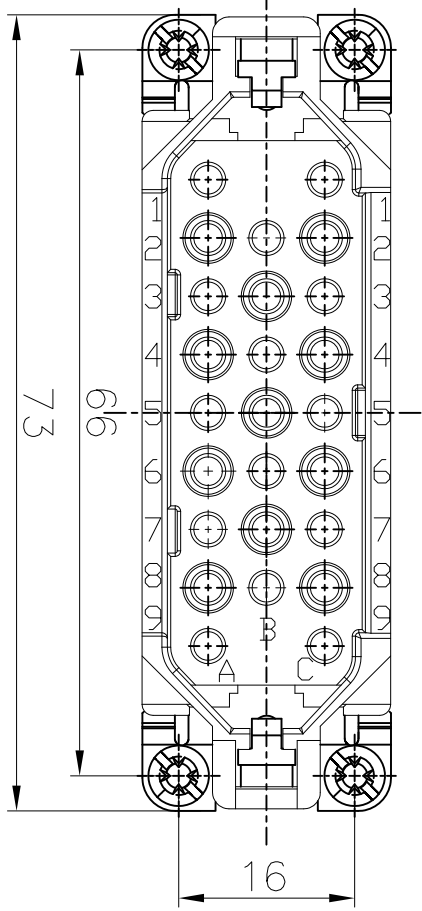
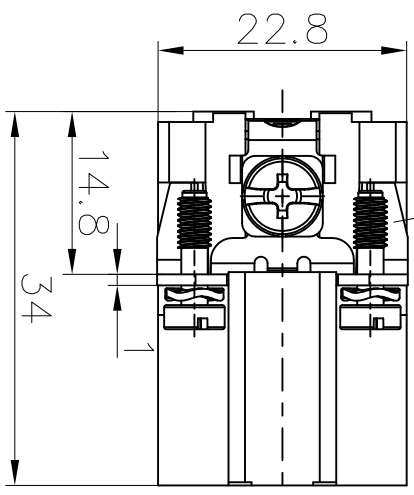


REVISION RECORD

REV	ECN	DESCRIPTION	DRFT	DATE

M3x10



Technical characteristics:

Specifications  
 DIN EN 60 664-1  
 DIN EN 61 984

Inserts

01. Number of contacts : 25+PE
02. Rated Current : 10A
03. Rated Voltage : 250V
04. Pollution degree : 3
05. Rated impulse voltage : 4kv<sup>10</sup>
06. Insulation resistance :  $\geq 10 \Omega$
07. Material: Polycarbonate
08. Rated voltage acc. to UL/CSA: 600V
09. Limiting temperatures : -40°C~+125°C
10. Flammability acc. to UL94: V0
11. Mechanical working life (mating cycles) :  $\geq 500$

Contacts

01. Material: Copper alloy
02. Surface: hard-silver plated
03. Contact resistance :  $\leq 3m \Omega$
04. Terminal : Crimp terminal
05. Wire gauge : 0.14-2.5mm<sup>2</sup> (AWG 26-14)
06. Stripping length : 8.0mm
07. Rohs Compliance

Note: Crimp contact pins should order separately

DETACHED LISTS	
PART NO.:	/
APPD:	
CHKD:	
DRFT:	Mr. Yang 2016.07.25
THIRD ANGLE PROJECTION	
NAME:	<b>DEGSON</b> 宁波高松电子有限公司 NINGBO DEGSON ELECTRICAL CO., LTD
TITLE:	CUSTOMER DRAWING
DRAWING NO.:	/
DO NOT SCALE DRAWING	
REV	DO
SHEET	1/1
SCALE	2:1

A 8 7 6 5 4 3 2 1