

REVISION RECORD				
REV	ECN	DESCRIPTION	DRFT	DATE

Technical characteristics:
 Specifications
 DIN EN 60 664-1
 DIN EN 61 984

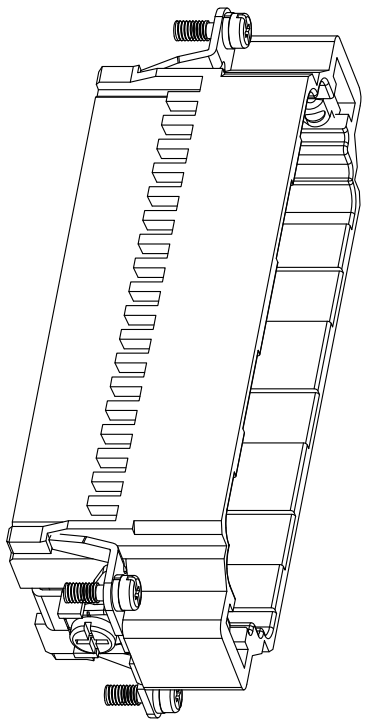
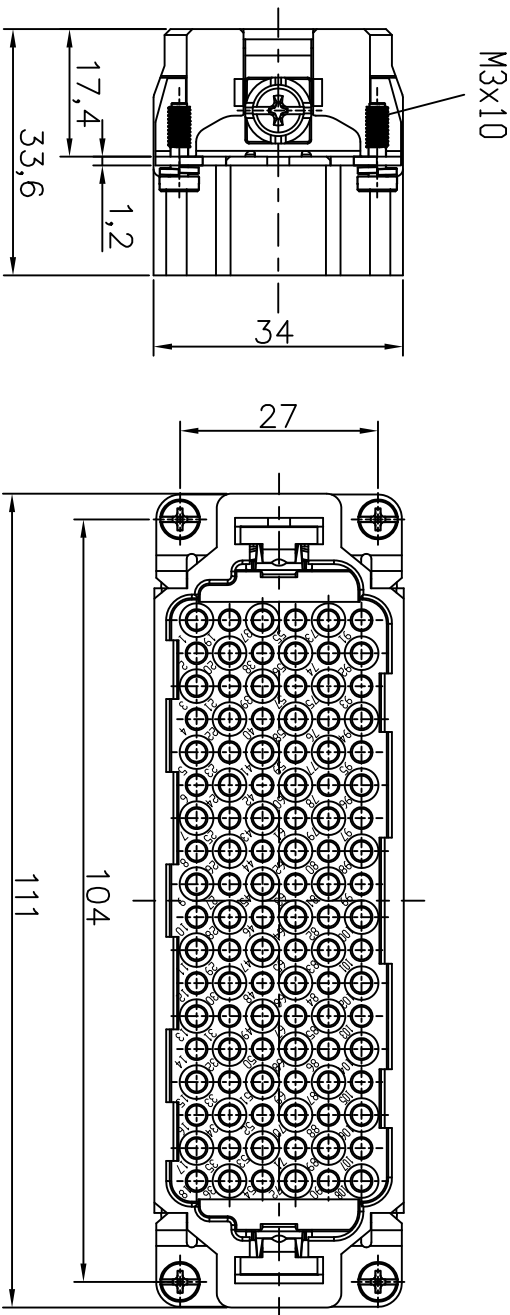
Inserts

- 01. Number of contacts : 108+PE
- 02. Rated Current : 10A
- 03. Rated Voltage : 250V
- 04. Pollution degree : 3
- 05. Rated impulse voltage : 4kV¹⁰
- 06. Insulation resistance : $\geq 10^9 \Omega$
- 07. Material: Polycarbonate
- 08. Rated voltage acc. to UL/CSA: 600V
- 09. Limiting temperatures : -40°C ~ +125°C
- 10. Flammability acc. to UL94: V0
- 11. Mechanical working life (mating cycles) : ≥ 500

Contacts

- 01. Material: Copper alloy
- 02. Surface: hard-silver plated
- 03. Contact resistance : $\leq 3m\Omega$
- 04. Terminal : Crimp terminal
- 05. Wire gauge : 0.14-2.5mm² (AWG: 26-14)
- 06. Stripping length : 6-8mm

Note: Crimp contact pins should order separately



DETACHED LISTS			
PART NO.:	/	NINGBO DEGSON ELECTRICAL CO., LTD	
APPD:		NAME: DDD-108-MC	
CHKD:		TITLE: CUSTOMER DRAWING	
DRFT: Mr. Yang	2016.09.25	DRAWING NO.:	DDD-108-MC-E01
THIRD ANGLE PROJECTION		DO NOT SCALE DRAWING	SCALE
			1:1

A 8 7 6 5 4 3 2 1

REVISION RECORD				
REV	ECN	DESCRIPTION	DRFT	DATE

Technical characteristics:

Specifications
 DIN EN 60 664-1
 DIN EN 61 984

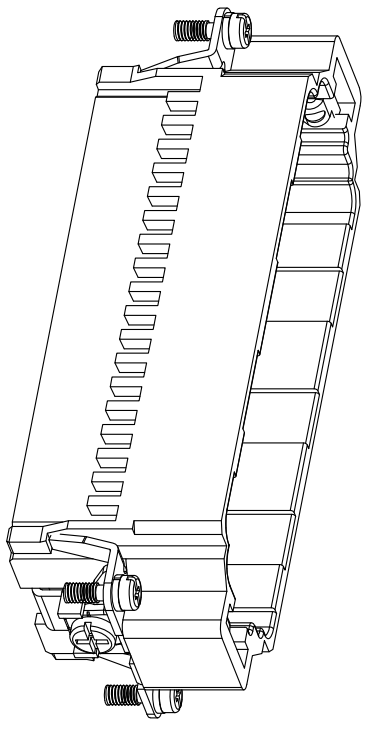
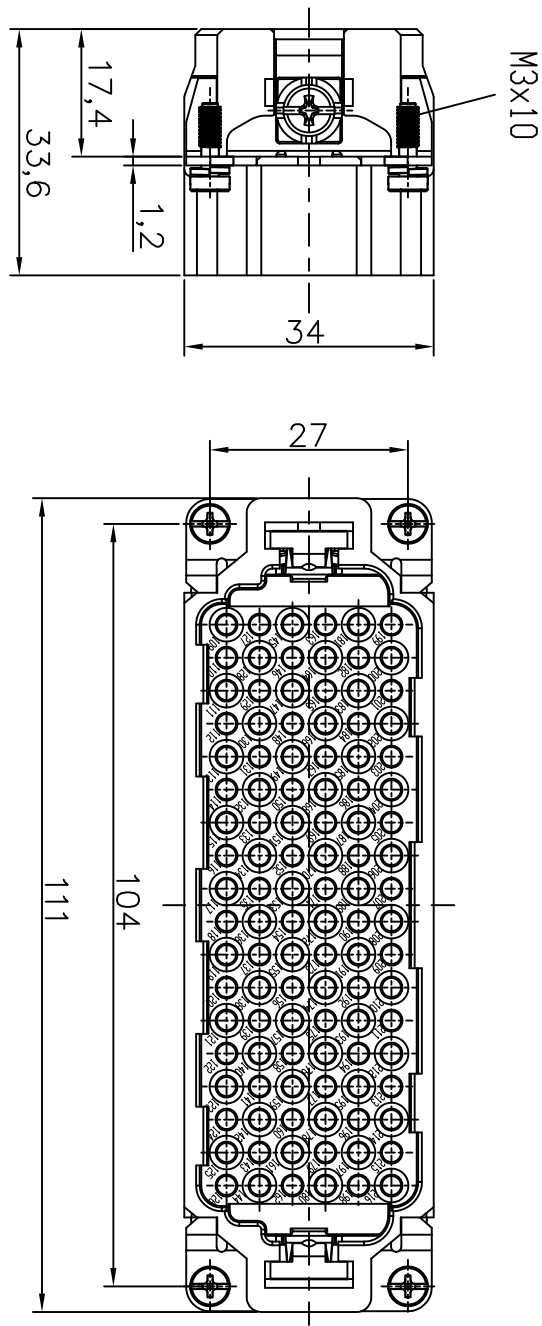
Inserts

01. Number of contacts : 108 (109-216) +PE
02. Rated Current : 10A
03. Rated Voltage : 250V
04. Pollution degree : 3
05. Rated impulse voltage : 4kV¹⁰
06. Insulation resistance : $\geq 10 \Omega$
07. Material: Polycarbonate
08. Rated voltage acc. to UL/CSA: 600V
09. Limiting temperatures : -40°C ~ +125°C
10. Flammability acc. to UL94: V0
11. Mechanical working life (mating cycles) : ≥ 500

Contacts

01. Material: Copper alloy
02. Surface: hard-silver plated
03. Contact resistance : $\leq 3m\Omega$
04. Terminal : Crimp terminal
05. Wire gauge : 0.14-2.5mm² (AWG 26-14)
06. Stripping length : 6-8mm

Note: Crimp contact pins should order separately



8
7
6
5
4
3
2
1

3

2

1

DETACHED LISTS			
PART NO.:	/	NINGBO DEGSON ELECTRICAL CO., LTD	
APPD:		NAME: DDD-108-MC(109-216)	
CHKD:		TITLE: CUSTOMER DRAWING	
DRFT: Mr. Yang	2016.09.25	DRAWING NO.:	DDD-108-MC-E02
THIRD ANGLE PROJECTION		DO NOT SCALE DRAWING	SCALE
			1:1

A

B

C

D

E

F

G

H