

REVISION RECORD				
REV	ECN	DESCRIPTION	DRFT	DATE

Technical characteristics:

Specifications

- DIN EN 60 664-1
- DIN EN 61 984

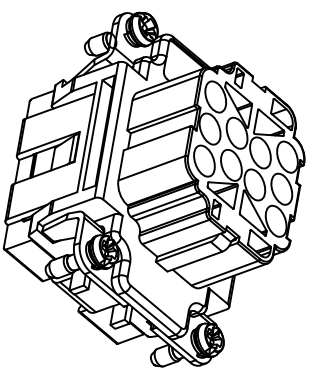
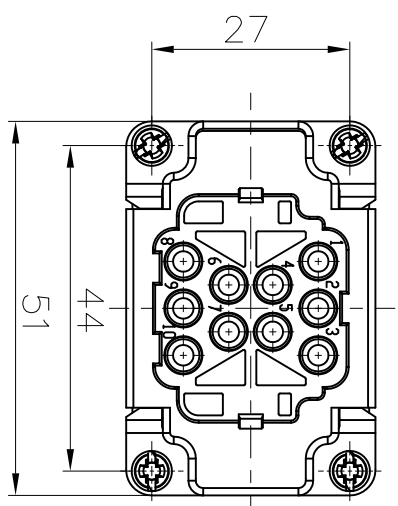
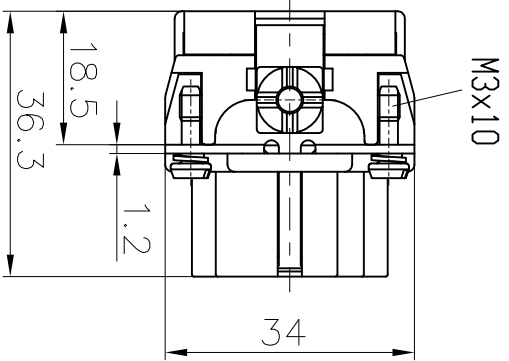
Inserts

- 01. Number of contacts : 10+PE
- 02. Rated Current : 16A
- 03. Rated Voltage : 500V
- 04. Pollution degree : 3
- 05. Rated impulse voltage : 6kv₁₀
- 06. Insulation resistance : ≥10Ω
- 07. Material: Polycarbonate
- 08. Rated voltage acc. to UL/CSA: 600V
- 09. Limiting temperatures : -40℃~+125℃
- 10. Flammability acc. to UL94: V0
- 11. Mechanical working life (mating cycles) : ≥500

Contacts

- 01. Material: Copper alloy
- 02. Surface: hard-silver plated
- 03. Contact resistance : ≤1mΩ
- 04. Terminal : Crimp terminal
- 05. Wire gauge : 0.14-4.0mm² (AWG 26-12)
- 06. Stripping length : 7.5mm
- 07. Rohs Compliance

Note: Crimp contact pins should order separately



A

B

C

D

E

F

G

H

8

7

6

5

4

3

2

1

DETACHED LISTS				
PART NO.:	/	 NINGBO DEGSON ELECTRICAL CO., LTD 宁波高松电子有限公司		
APPD:				
CHKD:				
DRFT:	Mr. Yang 2016.09.25			
THIRD ANGLE PROJECTION		TITLE: CUSTOMER DRAWING	REV	DO-1
		DRAWING NO.: DEE-010-FC-E01	SHEET	1/1
		DO NOT SCALE DRAWING	SCALE	1:1

A

B

C

D

E

F

G

H