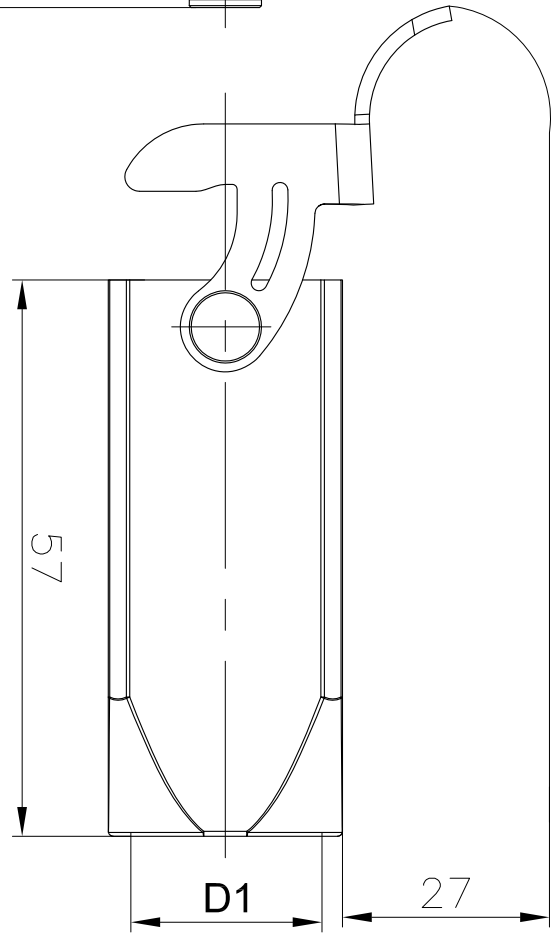
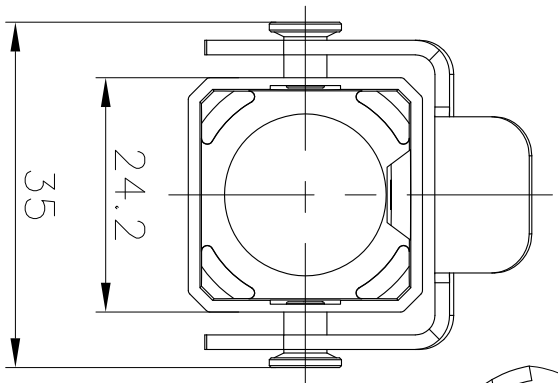
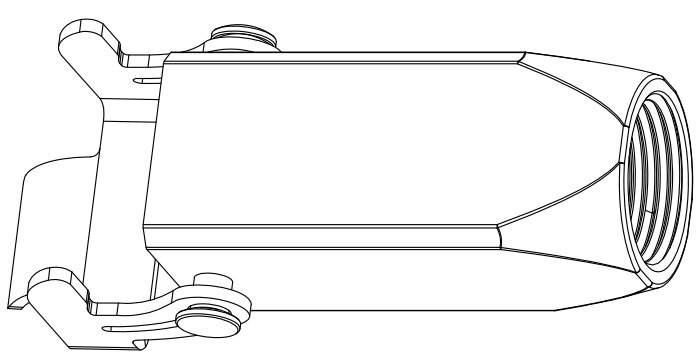


REVISION RECORD				
REV	ECN	DESCRIPTION	DRFT	DATE

H	TYPE	Thread(D1)	Selection
	D3A-CCT-1L-PG11	PG11	
	D3A-CCT-1L-M20	M20	



**Housings Feature**

1. Material: Zinc die-cast
2. Surface: Powder-coated
3. Color: grey (RAL 7037)
4. Material: Metal (Lever)
5. Limiting temperatures: -40°C ~ +125°C
6. Flammability acc to UL94: V0
7. Degree of protection acc.to EN60529 for coupled connector : IP65
8. Rohs compliance

DETACHED LISTS			
PART NO.:	DEGSON®	NINGBO DEGSON ELECTRICAL CO., LTD	宁波高松电子有限公司
APPD:	NAME:	D3A-CCT-1L-M/PG	
CHKD:	TITLE:	CUSTOMER DRAWING	REV
DRFT: Mr. yong2018.06.16	DRAWING NO.:	DO NOT SCALE DRAWING	DO-1
THIRD ANGLE PROJECTION	SCALE	1.5:1	1/1