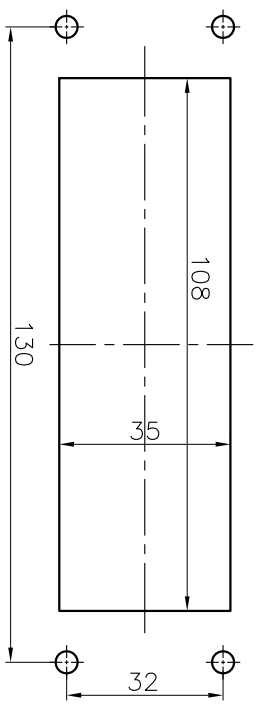
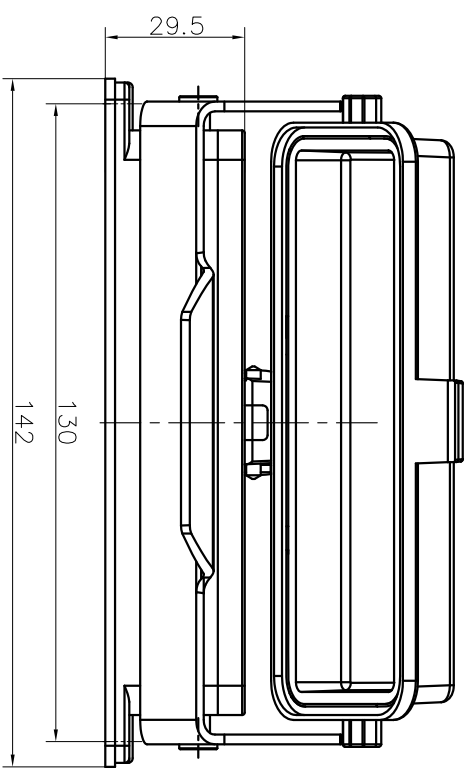
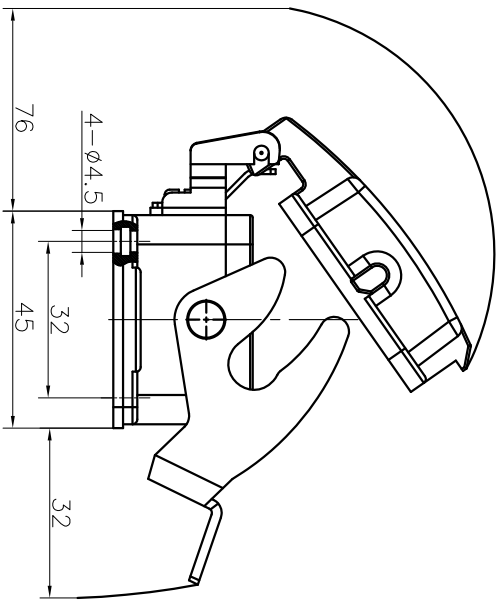
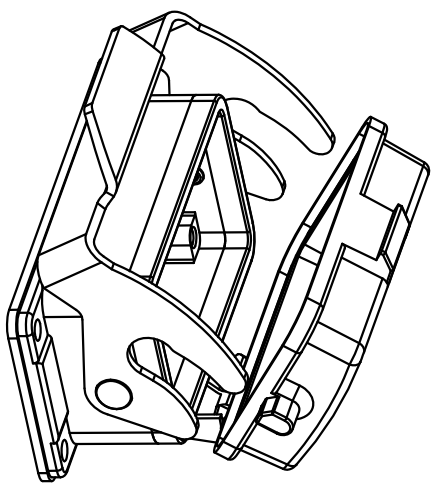


REVISION RECORD				
REV	ECN	DESCRIPTION	DRFT	DATE



Panel cut out

- Housings Feature
- 01. Material: aluminium die-cast
 - 02. Surface: Powder-coated
 - 03. Color: grey (RAL 7037)
 - 04. Material: Metal (Lever)
 - 05. Sealing: NBR
 - 06. Covers: Plastic
 - 07. Limiting temperatures: -40°C ~ +125°C
 - 08. Flammability acc to UL94: V0
 - 09. Degree of protection acc.to EN60529 for coupled connector: IP65
 - 10. Rohs compliance



DETACHED LISTS			
PART NO.:	/	NAME:	DEGSON NINGBO DEGSON ELECTRICAL CO., LTD 宁波高松电子有限公司
APPRD:		TITLE:	CUSTOMER DRAWING
CHKD:		DRAWING NO.:	
DRFT:	Mr. yong 2017/06/28	SCALE:	1:1.5
THIRD ANGLE PROJECTION		DO NOT SCALE DRAWING	