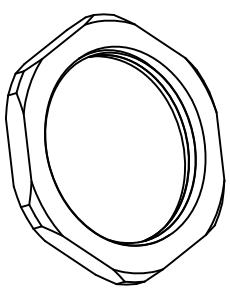
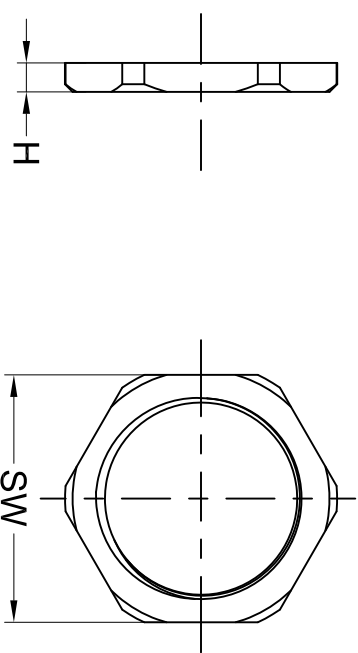


| REVISION RECORD | | | | |
|-----------------|-----|-------------|------|------|
| REV | ECN | DESCRIPTION | DRFT | DATE |
| | | | | |

| Metric | PG | Thickness (H) | SW | Type |
|--------|---------|---------------|----|-------------|
| | Pg7 | 4.5 | 18 | DLM-PG7P |
| | Pg9 | 4.5 | 22 | DLM-PG9P |
| | Pg11 | 5.0 | 24 | DLM-PG11P |
| | Pg13.5 | 5.0 | 27 | DLM-PG13.5P |
| | Pg16 | 5.5 | 30 | DLM-PG16P |
| | Pg21 | 6.0 | 35 | DLM-PG21P |
| | Pg29 | 7.0 | 45 | DLM-PG29P |
| | Pg36 | 8.0 | 58 | DLM-PG36P |
| | Pg42 | 8.0 | 65 | DLM-PG42P |
| | M12x1.5 | 4.5 | 18 | DLM-M12P |
| | M16x1.5 | 5.0 | 22 | DLM-M16P |
| | M20x1.5 | 5.0 | 27 | DLM-M20P |
| | M25x1.5 | 6.0 | 30 | DLM-M25P |
| | M32x1.5 | 6.0 | 38 | DLM-M32P |
| | M40x1.5 | 8.0 | 52 | DLM-M40P |
| | M50x1.5 | 8.0 | 60 | DLM-M50P |
| | M63x1.5 | 8.0 | 73 | DLM-M63P |



Plastics lock nut
 Material: Nylon
 Temperature range: -40~100°C

| DETACHED LISTS | | | |
|------------------------|--------------------|----------------------|---|
| PART NO.: | / | NAME: | DEGSON® NINGBO DEGSON ELECTRICAL CO., LTD 宁波高松电子有限公司 |
| APPD: | | TITLE: | Plastics lock nut |
| CHKD: | | DRAWING NO.: | |
| DRFT: | Mr. Yang2016.08.18 | | |
| THIRD ANGLE PROJECTION | | DO NOT SCALE DRAWING | |
| SCALE | 1/1 | SCALE | |

8 7 6 5 4 3 2 1