

REVISION RECORD			
REV	ECN	DESCRIPTION	DRFT DATE

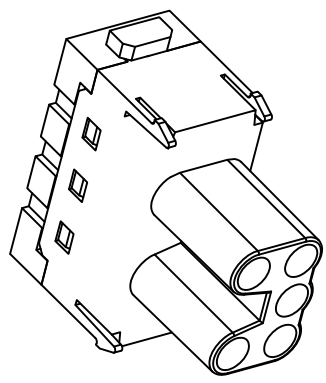
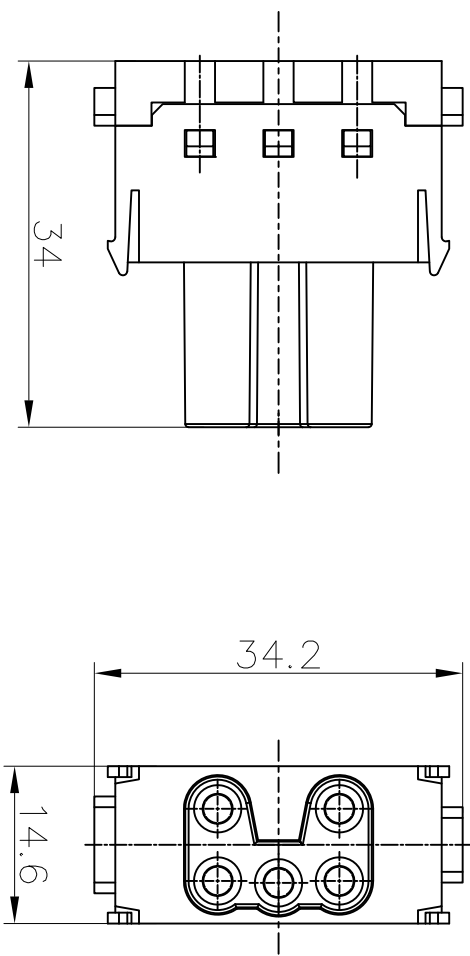
Technical characteristics:
 Specifications
 DIN EN 60 664
 DIN EN 61 984

Inserts

- 01. Number of contacts : 5
- 02. Rated Current : 16A
- 03. Rated Voltage : 400V
- 04. Pollution degree : 3
- 05. Rated impulse voltage : 6kv¹⁰
- 06. Insulation resistance : $\geq 10\Omega$
- 07. Material: Polycarbonate
- 08. Limiting temperatures : -40°C~+125°C
- 09. Flammability acc. to UL94: V0
- 10. Mechanical working life (mating cycles) : ≥ 500

Contacts

- 01. Material: Copper alloy
- 02. Surface: hard-silver plated
- 03. Contact resistance : $\leq 3m\Omega$
- 04. Terminal : Spring-cage terminal
- 05. Wire gauge : 0.14-2.5mm² (AWG 26-14)
- 06. Rohs Compliance



DETACHED LISTS			
PART NO.:	/	NAME:	宁波高松电子有限公司 NINGBO DEGSON ELECTRICAL CO., LTD
APPD:		CHKD:	
DRFT:	Mr. yong 2016.08.22	TITLE:	CUSTOMER DRAWING
THIRD ANGLE PROJECTION		DRAWING NO.:	MM
		DO NOT SCALE DRAWING	SCALE
		REV	DO-1
		SHEET	1/1
		SCALE	1.5:1

A 8 7 6 5 4 3 2 1