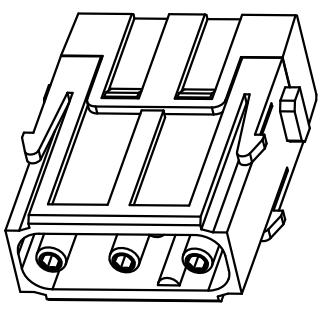
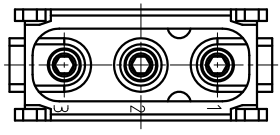
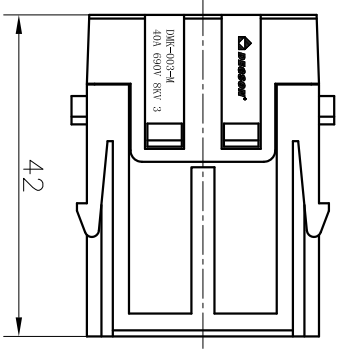
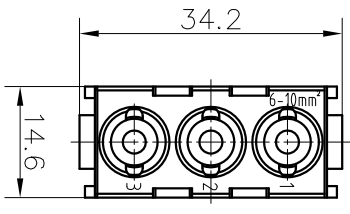


REVISION RECORD			
REV	ECN	DESCRIPTION	DRFT DATE

Technical characteristics:
 Specifications
 DIN EN 60 664-1
 DIN EN 61 984

- Inserts
01. Number of contacts : 3
 02. Rated Current : 40A
 03. Rated Voltage : 690V
 04. Pollution degree : 3
 05. Rated impulse voltage : 8kv₁₀
 06. Insulation resistance : $\geq 10\Omega$
 07. Material: Polycarbonate
 08. Rated voltage acc. to UL: 600V
 09. Limiting temperatures : -40°C~+125°C
 10. Flammability acc. to UL94: V0
 11. Mechanical working Life (mating cycles) : ≥ 500

- Contacts
01. Material: Copper alloy
 02. Surface: hard-silver plated
 03. Contact resistance : $\leq 0.3m\Omega$
 04. Terminal : Axial screw terminal
 05. Hexagonal driver: SW2
 06. Wire gauge : 6~10mm²
 07. Tightening torque: 2Nm
 08. Stripping length : 9~12mm
 09. Rohs Compliance



DETACHED LISTS			
PART NO.:	DMK-003-M(6~10mm ²)		
NAME:	NINGBO DEGSON ELECTRICAL CO., LTD		
APPD:	NINGBO DEGSON ELECTRICAL CO., LTD		
CHKD:			
DRFT:	LJK	2017.10.10	
TITLE:	CUSTOMER DRAWING		
DRAWING NO.:			
DO NOT SCALE DRAWING			
SCALE			

