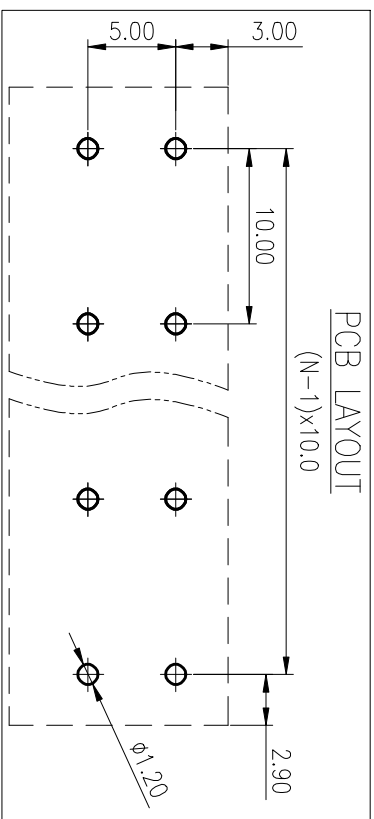
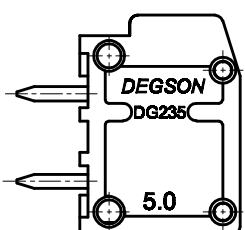
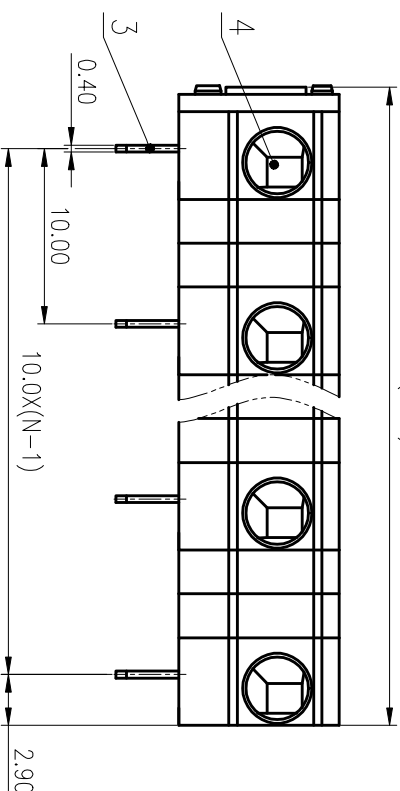
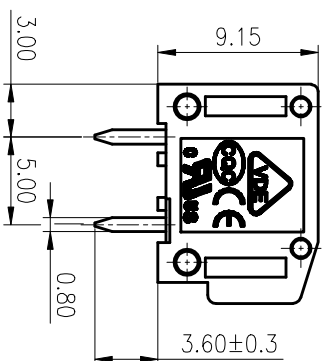
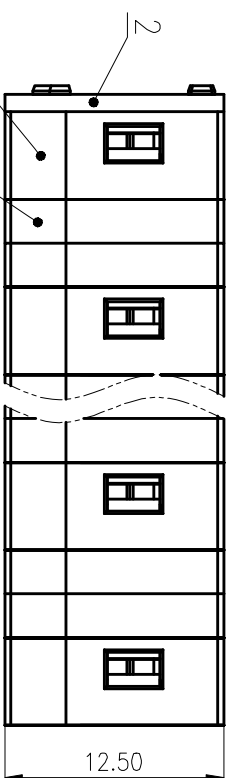


公差等级/General Tolerances(mm)		公差等级/General Tolerances(mm)										公差等级/General Tolerances(mm)		
0	>3	>6	>10	>18	>30	>50	>80	>120	>180	>250	>315	>400	>500	0.1/1/10
~	~	~	~	~	~	~	~	~	~	~	~	~	~	±Z
3	6	10	18	30	50	80	120	180	250	315	400	500	>500	±Z
±0.12	±0.18	±0.22	±0.26	±0.31	±0.37	±0.57	±0.80	±0.93	±1.05	±1.15	±1.60	±2.20	±2.50	±Z



PCB LAYOUT

(N-1)X10.0

UL 标准/UL Standard:	B	C	D
额定电压/电涌/Rated Voltage(V)/Current(A)	300/5	150/5	300/5
IEC 标准/IEC Standard:			
过压类别/Overvoltage Category/污秽等级/ Pollution Degree	III/3	III/2	I/2
额定冲击电压/Rated Voltage(KV)/Current(A)	400/17.5	1000/17.5	1000/17.5
额定剩余电压/Rate Impulse Voltage(KV)	8	8	8
线径范围(硬线和软线)/Wire Range(rigid and flexible)(mm <sup>2</sup> /AWG)	0.2~1.5	2.5(Sol)/20~18	
间距/Pitch(mm)/线径范围/Stripes	10.0	N=02~12P	
剥线长度/Stripping length(mm)	10		
使用温度范围/Operating Temperature(°C)	-40~+105		
符合RoHS要求/Conform to RoHS	Yes		
标准颜色编号/Standard color number:			
PANTONE / RAL			
MATERIAL:	SURFACE: /		

ITEM	NAME OF PART	MATERIAL	NOTES
1	Housing	PA66	UL94V-0
2	Cover	PA66	UL94V-0
3	Pin header	Copper alloy	Sn Plated
4	Spring	Stainless steel	/
5	Calpboard	PA66	UL94V-0

REV	ECN	DESCRIPTION	DRAFT	DATE
1				
2				
3				
4				

MAT NO.:	STATUS:	APPD:	CHKD:	DRAFT:	SIZE:	TYPE:	SCALE:	REV	TO
/	/	LGL 2020.06.01	Mek 2020.06.01	MSh 2020.06.01	A4	CUSTOMER DRAWING	2.5:1 SHEET	1/1	10
NAME: <b>DEGSON® NINGBO DEGSON ELECTRICAL CO., LTD</b> 宁波高松电子有限公司 DRAWING NO.: DG235W-10.0-C01 TYPE: CUSTOMER DRAWING SCALE: 2.5:1 SHEET 1/1									