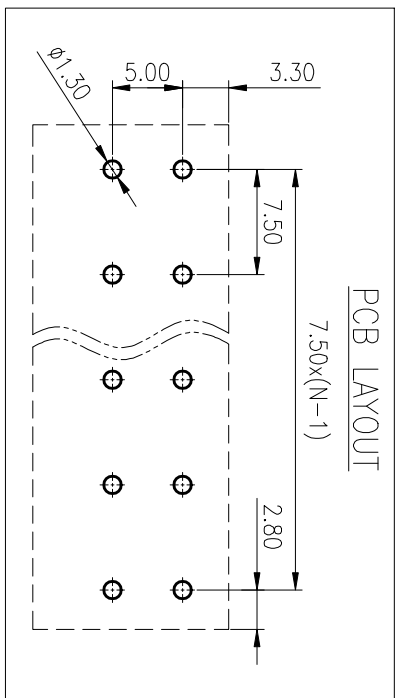
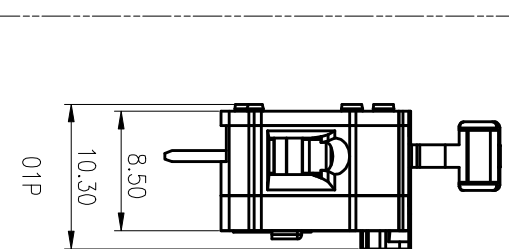
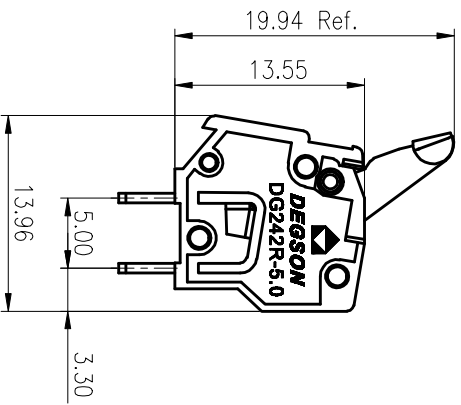
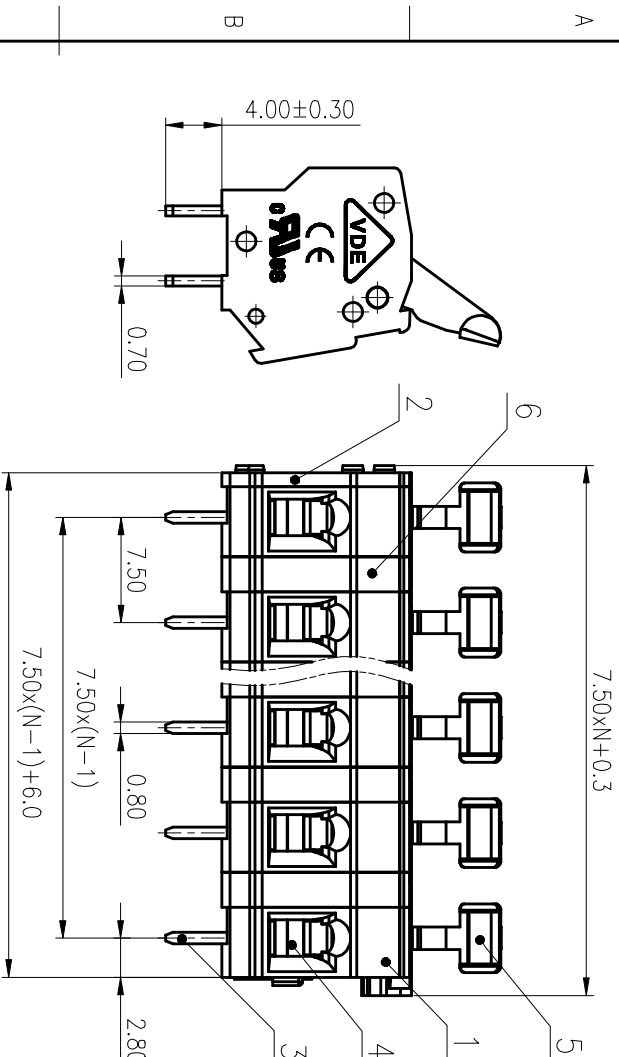


公差等级/General Tolerances(mm)		公差等级/General Tolerances(mm)										公差等级/General Tolerances(mm)		
0	>3	>6	>10	>18	>30	>50	>80	>120	>180	>250	>315	>400	>500	0.1/1/10
~	~	~	~	~	~	~	~	~	~	~	~	~	~	±Z
±0.12	±0.18	±0.22	±0.26	±0.31	±0.37	±0.57	±0.80	±0.93	±1.05	±1.15	±1.60	±2.20	±2.50	±Z



MATERIAL: /		SURFACE: /	
MAT NO.:	/		
STATUS:	/		
APPD:	LI GL 2020.06.10	NAME: DEGSON® NINGBO DEGSON ELECTRICAL CO., LTD	
CHKD:	MdEK 2020.06.10	DRAWING NO.: DG242R-7.5-C01	
DFT:	LDD 2015.09.25	TYPE: CUSTOMER DRAWING	
REV	ECN	DESCRIPTION	DRAFT
DATE			
SIZE: A4	mm	inch	SCALE: 2:1
			SHEET 1/1

ITEM	NAME OF PART	MATERIAL	NOTES
6	Calpboard	PA66	UL94V-0
5	Button	POM	UL94HB-
4	Spring	Stainless steel	/
3	Pin header	Copper alloy	Sn Plated
2	Cover	PA66	UL94V-0
1	Housing	PA66	UL94V-0

UL 标准/UL Standard:	B	C	D
额定电压/电涌/Rated Voltage(V)/Current(A)	300/15	/	300/10
IEC 标准/IEC Standard:	/	/	/
IEC 类别/Overvoltage Category/污染等级/Pollution Degree	III/3	III/2	II/2
额定电压/电涌/Rated Voltage(V)/Current(A)	/	750/17	/
工频电压/Withstanding Voltage(V/1Min)	/	AC3000	/
线径范围/导线规格/Wire Range(rigid and flexible)(mm ² /AWG)	0.2~2.5/28~12	7.5/N=01~16P	
间距/Pitch(mm)/导线范围/Striping length(mm)		5-6	
使用温度范围/Operating temperature(°C)		-40~+105	
符合RoHS要求/Conform to RoHS	Yes		