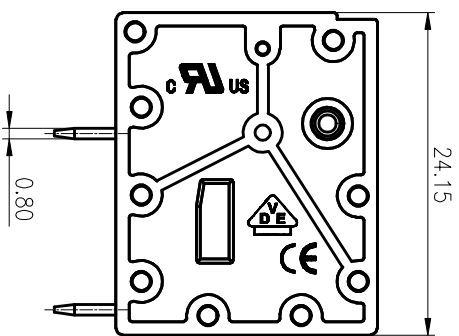


Based on Cover, the first one is Back pin header.



公差等级/General Tolerances(mm)		公差等级/General Tolerances(mm)										公差等级/General Tolerances(mm)	
0	>3	>6	>10	>18	>30	>50	>80	>120	>180	>250	>315	>400	0.1/10
±0.12	±0.18	±0.22	±0.26	±0.31	±0.37	±0.57	±0.80	±0.93	±1.05	±1.15	±1.60	±2.20	±2.50
±2	±2	±2	±2	±2	±2	±2	±2	±2	±2	±2	±2	±2	±2

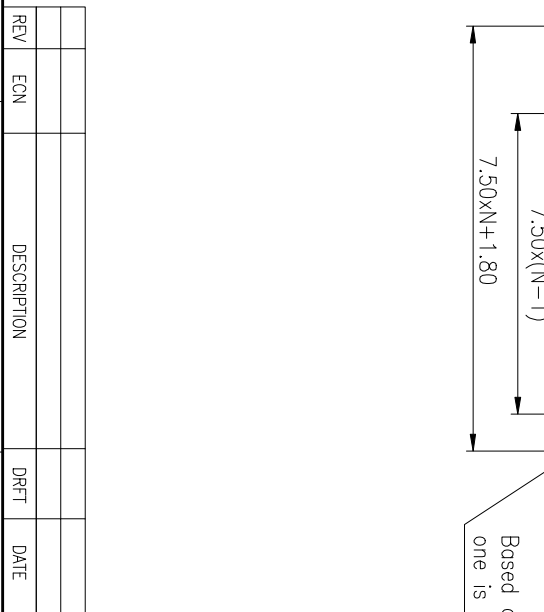
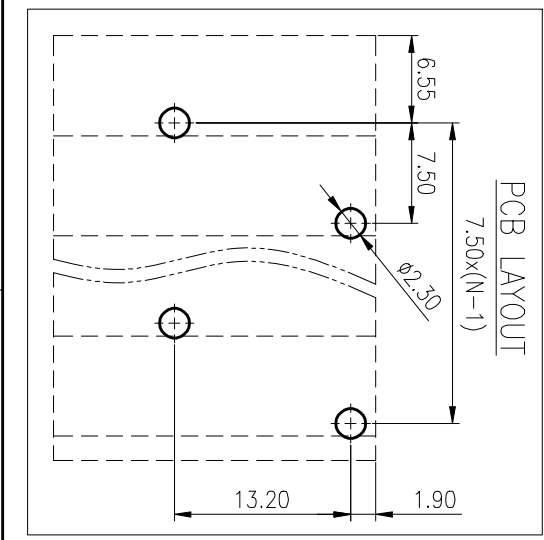
ITEM	NAME OF PART	MATERIAL	NOTES
6	Spring	Stainless steel	/
5	Back pin header	Copper	Sn Plated
4	Front pin header	Copper	Sn Plated
3	Cover	PA66	UL94V-0
2	Center housing	PA66	UL94V-0
1	End housing	PA66	UL94V-0

UL 标准/UL Standard:	B	C	D
额定电压/额定电压(V)/Rated Voltage(V)	600/40	600/40	600/5
额定电流/额定电流(A)/Rated Current(A)	600/40	600/40	600/5
IEC 标准/IEC Standard: <td colspan="3"></td>			
过电压类别/Overvoltage Category/污秽等级/Pollution Degree	III/3	III/2	II/2
额定电压/额定电压(V)/Rated Voltage(V)	630/41	1000/41	1000/41
额定冲击电压(KV)/Rated Impulse Voltage(KV)	8	8	8
额定绝缘(额定绝缘值)/Wire Range(rigid and flexible)(mm <sup>2</sup> /AWG)	0.2-6/24~8		
间距/Pitch(mm)/线数/极数/Poles	7.5/N=02~16P		
绝缘长度/Stripping length(mm)	14-15		
使用温度范围/Operating temperature(°C)	-40~+105		
符合RoHS环保要求/Conform to RoHS	Yes		

MATERIAL: /  
SURFACE: /

NINGBO DEGSON ELECTRICAL CO., LTD  
宁波高松电子有限公司

APPD: Li GL 2020.05.15	NAME: DG271R-7.5-DB-XXP-1Y-100A(H)			
STATUS: /				
CHKD: MoEK 2020.05.15	DRAWING NO.: DG271R-7.5-DB-C02			
DRT: BYH 2018.10.08	TYPE: CUSTOMER DRAWING			
REV	ECN	DESCRIPTION	DRT	DATE
1				
2				
3				
4				
5				
6				



SIZE: A4	SCALE: 2:1
1/1	1/1