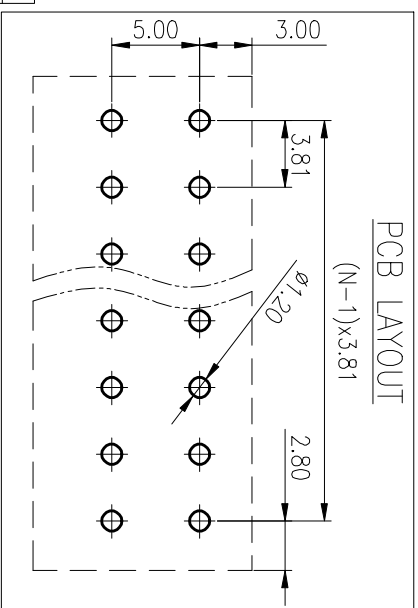
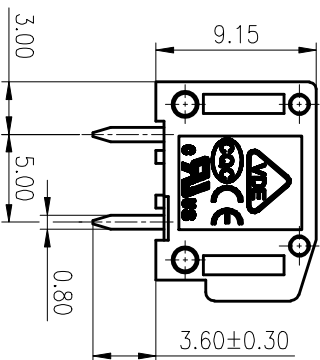
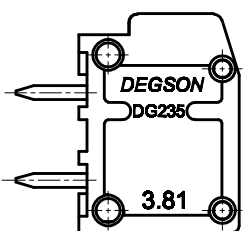
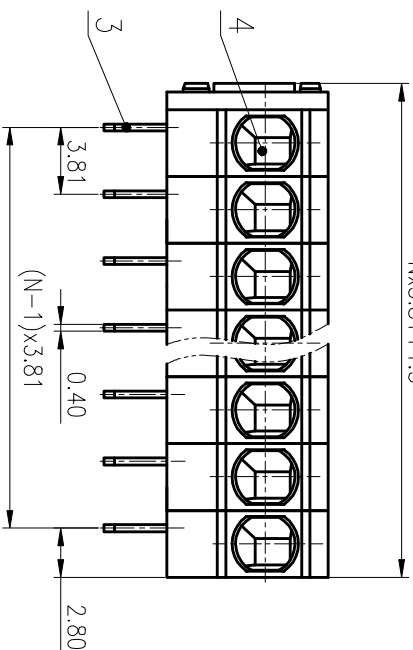
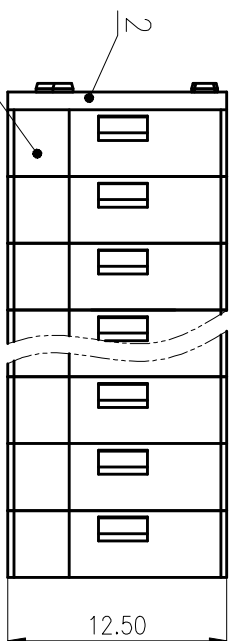


公差等级/General Tolerances(mm)		公差等级/General Tolerances(mm)										公差等级/General Tolerances(mm)		
0	>3	>6	>10	>18	>30	>50	>80	>120	>180	>250	>315	>400	>500	0.1/1/10
~	~	~	~	~	~	~	~	~	~	~	~	~	~	±Z
±0.12	±0.18	±0.22	±0.26	±0.31	±0.37	±0.57	±0.80	±0.93	±1.05	±1.15	±1.60	±2.20	±2.50	±Z



ITEM	NAME OF PART	MATERIAL	NOTES
4	Spring	Stainless steel	/
3	Pin header	Copper alloy	Sn Plated
2	Cover	PA66	UL94V-0
1	Housing	PA66	UL94V-0

REV	ECN	DESCRIPTION	DRAFT	DATE
1				
2				
3				

MATERIAL: /	SURFACE: /
MAT NO.: /	
STATUS: /	
APPD: LiGL 2020.05.30	NAME: <b>DEGSON® NINGBO DEGSON ELECTRICAL CO., LTD</b>
CHKD: Mek 2020.05.30	<b>DG235W-3.81-XXP-1Y-00A(H)</b>
DRT: ZhuWM 2004.08.02	DRAWING NO.: DG235W-3.81-C01
SIZE: A4	TYPE: CUSTOMER DRAWING
SCALE: 2.5:1 SHEET	SCALE: 2.5:1 SHEET
REV T8	REV T8
1/1	1/1

UL 标准/UL Standard:	B	C	D
额定电压/电涌/Rated Voltage(V)/Current(A)	300/5	150/5	300/5
IEC 标准/IEC Standard:			
过压类别/Overvoltage Category/污秽等级	/	III/2	/
绝缘/Insulation Degree	/	250/10	/
额定电压/电涌/Rated Voltage(V)/Current(A)	/	250/10	/
额定工频耐压/Withstanding Voltage(V/1Min)		AC2000	
额定电压/电涌/Rated Voltage(V)/Current(A)		1.5/20~18	
线径范围(硬线和软线)/Wire Range(rigid and flexible)(mm² /AWG)		3.81/N=02~24P	
间距/Pitch(mm)/线径范围/Poles		10	
剥线长度/Stripping length(mm)		-40~+105	
使用温度范围/Operating Temperature(°C)		Yes	
符合RoHS要求/Conform to RoHS		/	
标准颜色编号/Standard color number:			
PANTONE / RAL			

宁波高松电子有限公司  
NINGBO DEGSON ELECTRICAL CO., LTD

DG235W-3.81-XXP-1Y-00A(H)

DRAWING NO.: DG235W-3.81-C01

TYPE: CUSTOMER DRAWING