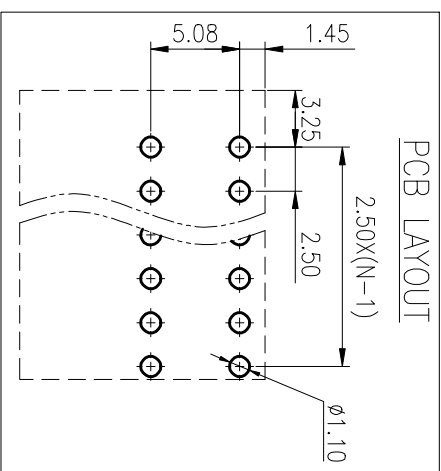
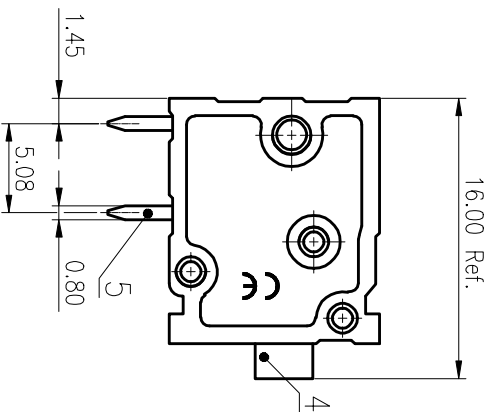
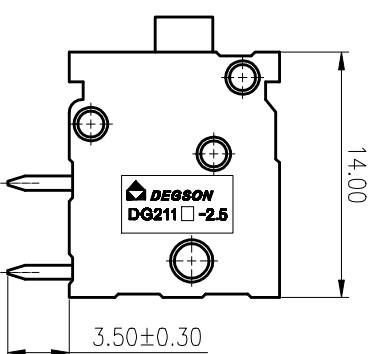
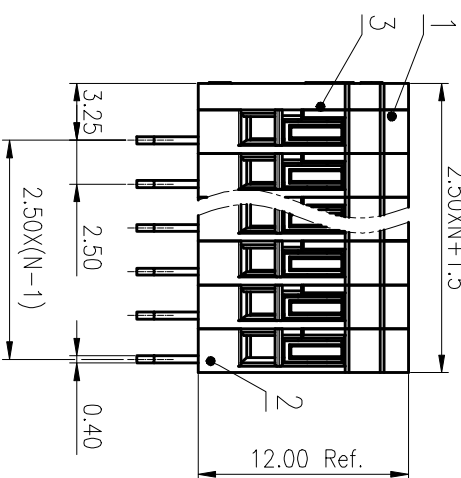
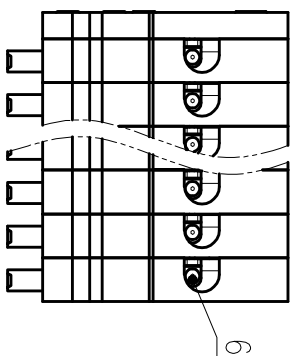


公差等级/General	Tolerances(mm)										0.1/10		
0	>3	>6	>10	>18	>30	>50	>80	>120	>180	>280	>315	>400	0.1/10
3	~	~	~	~	~	~	~	~	~	~	~	~	>500
6	10	18	30	50	80	120	180	280	315	400	500	500	±Z
±0.12	±0.18	±0.22	±0.26	±0.31	±0.37	±0.57	±0.80	±0.93	±1.05	±1.15	±1.60	±2.20	±2.50



ITEM	NAME OF PART	MATERIAL	NOTES
6	Spring	Stainless steel	
5	Pin header	Copper Alloy	Sn plated
4	Button	PA66	UL94V-0
3	Cover	PA66	UL94V-0
2	Side Housing	PA66	UL94V-0
1	Housing	PA66	UL94V-0

UL 标准 /UL Standard:	B	C	D
额定电压/电涌/Rated Voltage(V)/Current(A)	150/5	/	/
IEC 标准 /IEC Standard:	/	/	/
过压类别/Overvoltage Category/污秽等级/ Pollution Degree	III/3	III/2	II/2
额定电压/电涌/Rated Voltage(V)/Current(A)	160/3	160/3	320/3
额定脉冲电压(kV)/Rate Impulse Voltage(kV)	2.5	2.5	2.5
线芯范围(硬线和软线)/Wire Range(rigid and flexible)(mm <sup>2</sup> /AWG)	0.2~0.5/28~20		
间距/Pitch(mm)/线数范围/Poles	2.5/N=02~24P		
剥线长度/Stripping length(mm)	9~10		
使用温度范围/Operating temperature(°C)	-40~+105		
符合RoHS环保要求/Conform to RoHS	Yes		

MATERIAL: / SURFACE: /

MAT NO.: /  
 STATUS: /  
 APPD: LIGL 2020.05.27  
 CHKD: Mek 2020.05.27

NAME: **DEGSON® NINGBO DEGSON ELECTRICAL CO., LTD**  
**DG211R-2.5-XXP-1Y-00A(H)**

DRAWING NO.: DG211R-2.5-C01  
 TYPE: CUSTOMER DRAWING  
 SCALE: 2.5:1 SHEET 1/1

REV	ECN	DESCRIPTION	DRAFT	DATE
1				
2				
3				
4				
5				
6				

SIZE: A4  
 (mm) (inch)