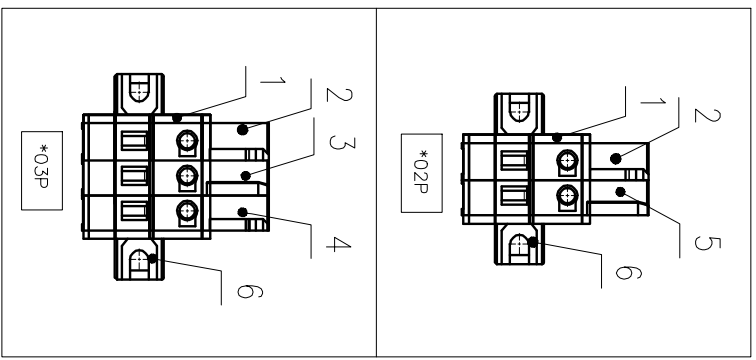
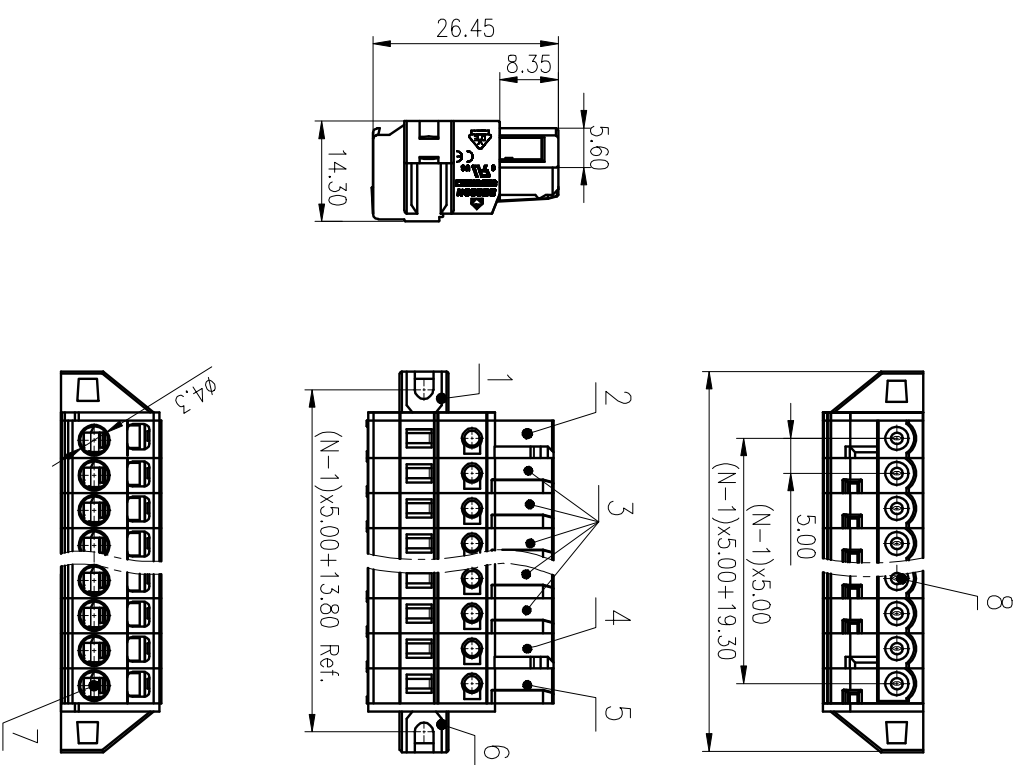


Pitch Range	In		Nominal Dimension		Range		Tolerance
	mm	In	mm	In	mm	In	
Over 6	Over 10	Over 10	Over 30	Over 60	Over 100	Over 150	0.1/10
TO 6	TO 10	TO 24	TO 30	TO 60	TO 100	TO 150	≤
±0.15	±0.20	±0.30	±0.30	±0.50	±0.70	±1.00	±1.30
							±2°



ITEM	NAME OF PART	MATERIAL	NOTES
1	Cover 1	PA66	UL94V-0
2	Side Housing 1	PA66	UL94V-0
3	Middle Housing 1	PA66	UL94V-0
4	Middle Housing 2	PA66	UL94V-0
5	Side Housing 2	PA66	UL94V-0
6	Cover 2	PA66	UL94V-0
7	Spring	Stainless Steel	
8	Clamp	Copper alloy	Sn Plated

UL 标准/UL Standard:	B	C	D
额定电压/电涌/Rated Voltage(V)/Current(A)	300	151	150/151
300/710	150/300	710/300	710/300
IEC 标准/IEC Standard:			
过压类别/Overvoltage Category/污秽等级/Pollution Degree	III/3	III/2	II/2
额定电压/电涌/Rated Voltage(V)/Current(A)	320/20	/	/
额定冲击电压/电涌/Rate Impulse Voltage(kV)	4	/	/
线芯范围(硬线和软线)/Wire Range(rigid and flexible)(mm <sup>2</sup> /AWG)	0.2~2.5/22~14		
剥线长度/Stripping Length(mm)	5.0/N=02~24P		
使用温度范围/Operating Temperature(°C)	9~10		
符合RoHS环保要求/Conform to RoHS	-40~+105		
标准颜色编号/Standard color number:	Yes		
PANTONE	PANTONE 428C		

MATERIAL: /  
SURFACE: /

MAT NO.: /  
STATUS: /

APPD: /  
CHKD: /

NAME: **DEGSON® NINGBO DEGSON ELECTRICAL CO., LTD**  
**8EDGKMB-5.0-XXP-11-1001A(H)**

DRAWING NO.: 8EDGKMB-5.0-1000-C02  
TYPE: CUSTOMER DRAWING  
SCALE: 1:1  
SHEET 1/1

REV	ECN	DESCRIPTION	DRAFT	DATE	SIZE: A4	mm inch

MATERIAL: /  
SURFACE: /  
MAT NO.: /  
STATUS: /  
APPD: /  
CHKD: /

NAME: **DEGSON® NINGBO DEGSON ELECTRICAL CO., LTD**  
**8EDGKMB-5.0-XXP-11-1001A(H)**

DRAWING NO.: 8EDGKMB-5.0-1000-C02  
TYPE: CUSTOMER DRAWING  
SCALE: 1:1  
SHEET 1/1