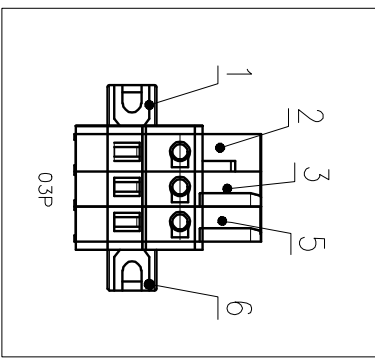
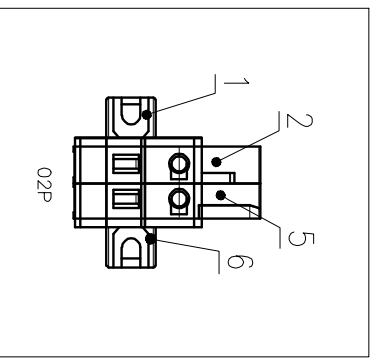
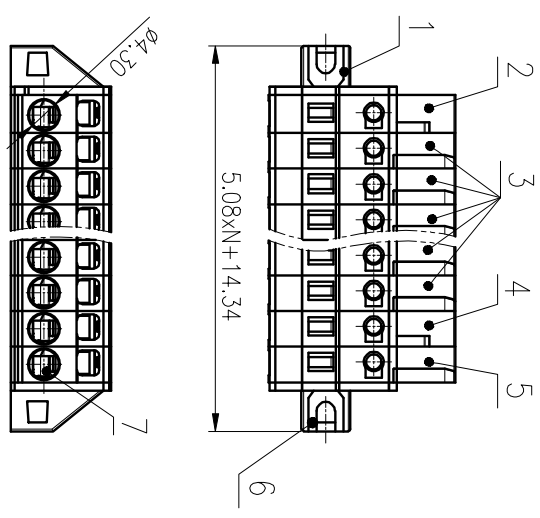
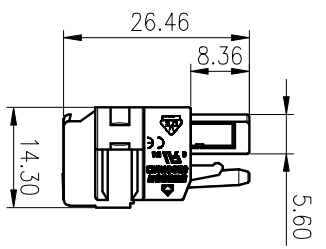
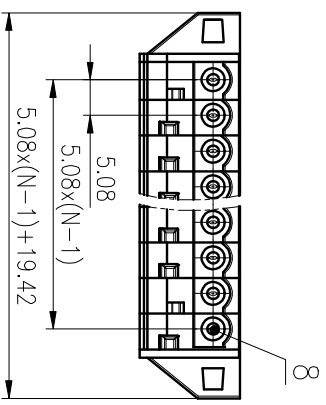


Pitch Range		Nominal Dimension Range		Pitch Range		Nominal Dimension Range	
In	mm	In	mm	In	mm	In	mm
Over 6	Over 10	Over 30	Over 60	Over 100	Over 150	0.1/10	
TO 10	TO 24	TO 10	TO 60	TO 100	TO 150	≤	
±0.15	±0.20	±0.30	±0.50	±0.70	±1.00	±1.30	±2°



8	Clamp	Copper alloy	Sn Plated
7	Spring	Stainless Steel	
6	Cover 2	PA66	UL94V-0
5	Side Housing 2	PA66	UL94V-0
4	Middle Housing 2	PA66	UL94V-0
3	Middle Housing 1	PA66	UL94V-0
2	Side Housing 1	PA66	UL94V-0
1	Cover 1	PA66	UL94V-0

ITEM	NAME OF PART	MATERIAL	NOTES
UL 标准 /UL Standard:		B	C
额定电压/电涌 /Rated Voltage(V)/Current(A)		300/15	300/70
IEC 标准 /IEC Standard:			
过压类别 /Overvoltage Category/污染等级 /Pollution Degree		III/3	II/2
额定电压/电涌 /Rated Voltage(V)/Current(A)		320/20	/
额定脉冲电压 /Rate Impulse Voltage(KV)		4	/
线芯范围 (硬线和软线) /Wire Range(rigid and flexible)(mm <sup>2</sup> /AWG)		0.2~2.5/22~14	
剥线长度 /Stripping length(mm)		5.08/N=02~24P	
使用温度范围 /Operating Temperature(°C)		9~10	
符合RoHS环保要求 /Conform to RoHS		-40~+105	
标准颜色编号 /Standard color number:		Yes	
PANTONE		PANTONE 428C	

MATERIAL:	/
MAT NO.:	/
STATUS:	/
APPD:	
CHKD:	
NAME:	8EDGKMA-5.08-XXP-1Y-1001A(H)
DRAWING NO.:	8EDGKMA-5.08-1000-C02
TYPE:	CUSTOMER DRAWING

DEGSON<sup>®</sup> NINGBO DEGSON ELECTRICAL CO., LTD  
 宁波高松电子有限公司

REV	ECN	DESCRIPTION	DRAFT	DATE	SIZE: A4	SCALE: 1:1

A B C D

A B C D

1 2 3 4 5 6