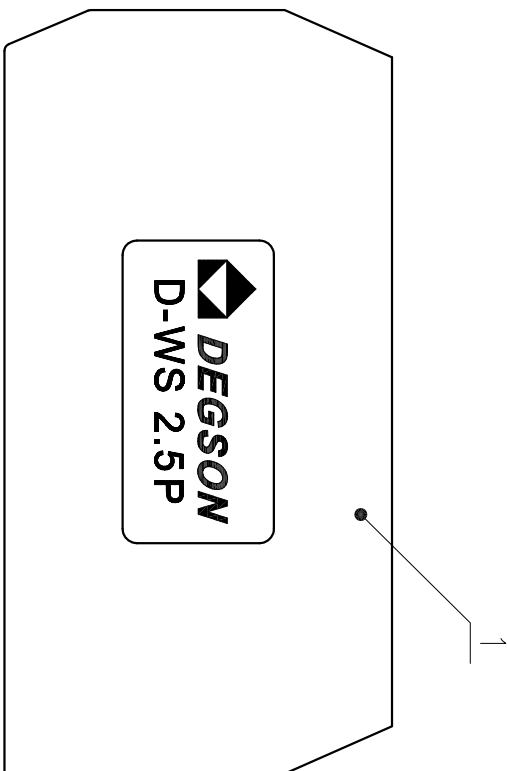
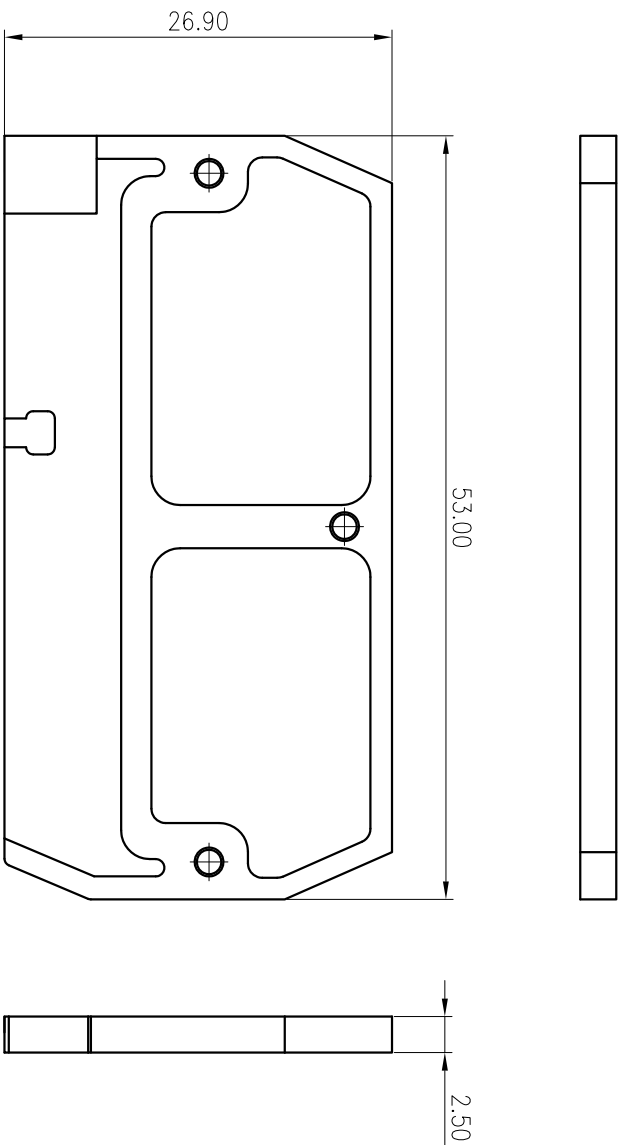


公差/General tolerances(mm)		0.1/10
0	>3	±2
~	>6	
~	>10	
~	>18	
3	~ 6	
~	10	
~	18	
~	30	
~	50	
~	80	
~	120	
~	180	
~	250	
~	315	
~	400	
~	500	
~	>500	
±0.12	±0.18	±0.22
±0.26	±0.31	±0.37
±0.57	±0.80	±1.05
±1.15	±1.60	±2.20
±2.50		



1	Cover	PA66	UL94V-0
ITEM	NAME OF PART	MATERIAL	NOTES
使用温度范围/Operating temperature(°C) -40~+105			
符合RoHS环保要求/Conform to RoHS Yes			
标准颜色编号/Standard color number: PANTONE / RAL			

MATERIAL: / SURFACE: /

MAT NO.: /

STATUS: /

APPD: Li GL 2020.06.06

CHKD: Mao J 2020.06.06

DRT: Wang Y 2020.06.06

NAME: **DEGSON** 宁波高松电子有限公司
NINGBO DEGSON ELECTRICAL CO., LTD

D-WS2.5P-01P-11-00A(H)

DRAWING NO.: D-WS2.5P-C01

TYPE: CUSTOMER DRAWING

SCALE: 2:1 SHEET 1/1

REV	ECN	DESCRIPTION	DRT	DATE