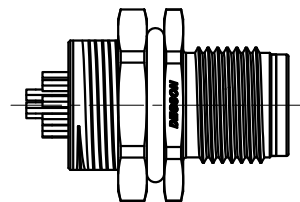
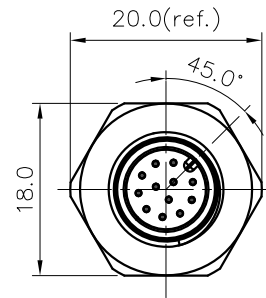
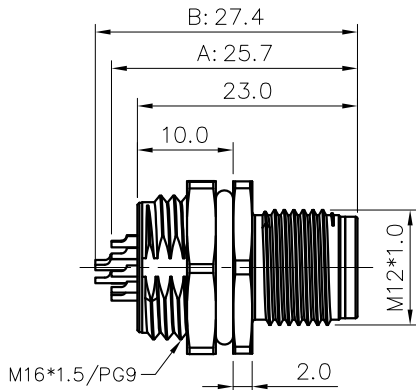
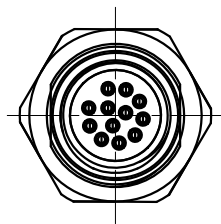


REVISION RECORD

REV	ECN	DESCRIPTION	DRFT	DATE
-----	-----	-------------	------	------



SD-M12X-XXP-MM-SH800X-00A(H)

Coding: A,B,D  
Pin number: 03,04,05,  
06,08,10,12

Thread specification:  
001: PG9  
002: M16\*1.5

NOTES:

- Rated voltage/current : 3pin A: 250V / 4A  
4pin A: 250V / 4A  
5pin A: 60V / 4A  
6pin A: 30V / 2A  
8pin A: 30V / 2A  
10pin A: 30V / 1.5A  
12pin A: 30V / 1.5A  
5pin B: 60V / 4A  
4pin D: 250V / 4A
- Withstanding voltage : 3,4pin A: AC1500V/1Min  
5pin A: AC1120V/1Min  
6,8,10,12pin A: AC500V/1Min  
5pin B: AC1120V/1Min  
4pin D: AC1500V/1Min
- Levels of protection: IP68
- Wire range :  
3pin A: 24~22AWG/0.25~0.34mm<sup>2</sup>  
4pin A: 24~22AWG/0.25~0.34mm<sup>2</sup>  
5pin A: 24~22AWG/0.25~0.34mm<sup>2</sup>  
6pin A: 26~24AWG/0.14~0.25mm<sup>2</sup>  
8pin A: 26~24AWG/0.14~0.25mm<sup>2</sup>  
10pin A: 26~28AWG/0.14~0.08mm<sup>2</sup>  
12pin A: 26~28AWG/0.14~0.08mm<sup>2</sup>  
5pin B: 24~22AWG/0.25~0.34mm<sup>2</sup>  
4pin D: 24~22AWG/0.25~0.34mm<sup>2</sup>
- Wire connection mode: soldering
- Operating temperature: -40°C~+105°C
- For Panel Thickness Max: 4.5mm
- RoHS Compliance
- Tolerance : ±0.5mm

5pin B Coding	A	
4pin D Coding	A	
10,12pin A Coding	A	B
3~8pin A Coding	A	
Description	General dimension	

10pin A Coding	12pin A Coding	5pin B Coding	4pin D Coding
Pin Assignments Front View	Pin Assignments Front View	Pin Assignments Front View	Pin Assignments Front View

Thread specification: PG9	Thread specification: M16*1.5
Panel Mounted	Panel Mounted

3pin A Coding	4pin A Coding	5pin A Coding	6pin A Coding	8pin A Coding
Pin Assignments Front View	Pin Assignments Front View	Pin Assignments Front View	Pin Assignments Front View	Pin Assignments Front View

DETACHED LISTS	PART NO.: SDM12XXXPMMSH800X00AH	宁波高松电子有限公司 NINGBO DEGSON ELECTRICAL CO., LTD		
	APPD:	NAME: SD-M12X-XXP-MM-SH800X-00A(H)		
	CHKD:	TITLE: CUSTOMER DRAWING		
	DRFT: SQ 2019.05.17	REV	D0-1	
	THIRD ANGLE PROJECTION		DRAWING NO.: XXXXXXXX-XX-CXX	SHEET
		MM (INCH)	DO NOT SCALE DRAWING	SCALE
			SCALE	1:1