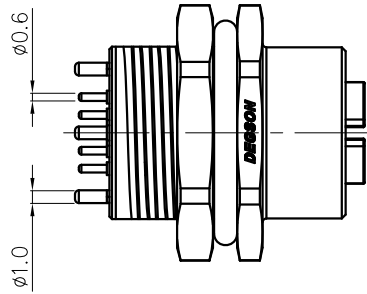
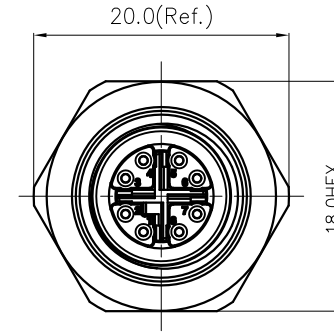
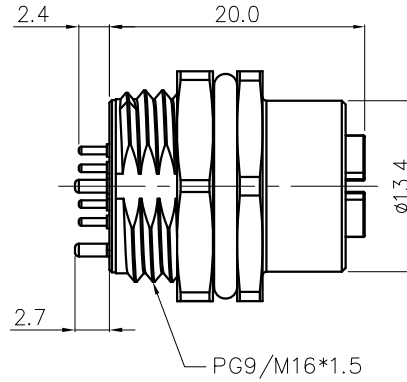
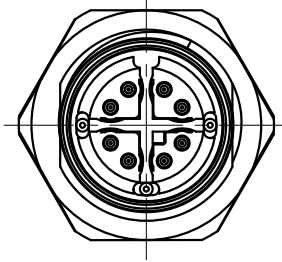


REVISION RECORD

REV	ECN	DESCRIPTION	DRFT	DATE
-----	-----	-------------	------	------

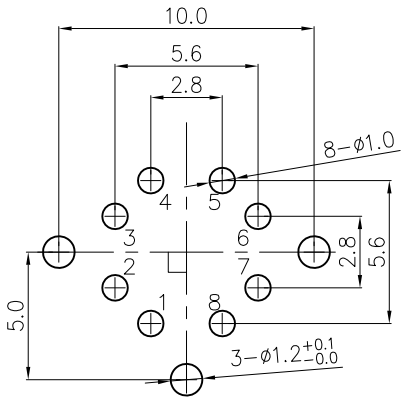


SPSH-M12X-08P-FF-SH700X-00A(H)

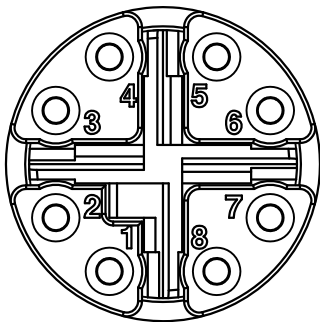
Thread specification:
001: PG9
002: M16*1.5

NOTES:

1. Rated voltage/current : 50Vac/60Vdc; 0.5A
2. Withstanding voltage : AC1120V/1Min
3. Levels of protection: IP67
4. Wire connection mode: soldering
5. Operating temperature: -20°C~+105°C
6. For Panel Thickness Max: 4.5mm
7. RoHS Compliance
8. Tolerance : ±0.5mm

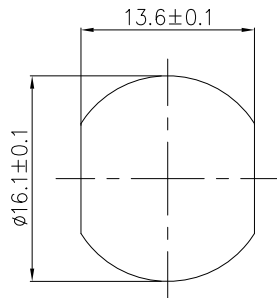


PCB Layout



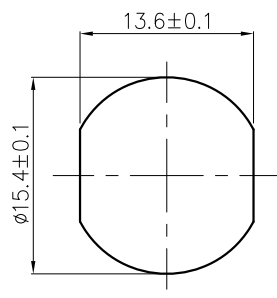
Pin Assignments
Front View

Thread specification:
M16*1.5



Panel Mounted

Thread specification:
PG9



Panel Mounted

DETACHED LISTS	PART NO.: SPSHM12X08PFFSH700X00AH		宁波高松电子有限公司 NINGBO DEGSON ELECTRICAL CO., LTD		
	APPD:		NAME: SPSH-M12X-08P-FF-SH700X-00A(H)		
	CHKD:		TITLE: CUSTOMER DRAWING		
	DRFT: SQ 2019.05.21		REV: D0-1	SHEET: 1/1	
		DRAWING NO.: XXXXXXX-XX-EXX		SCALE: 1:1	
		MM (INCH)		DO NOT SCALE DRAWING	