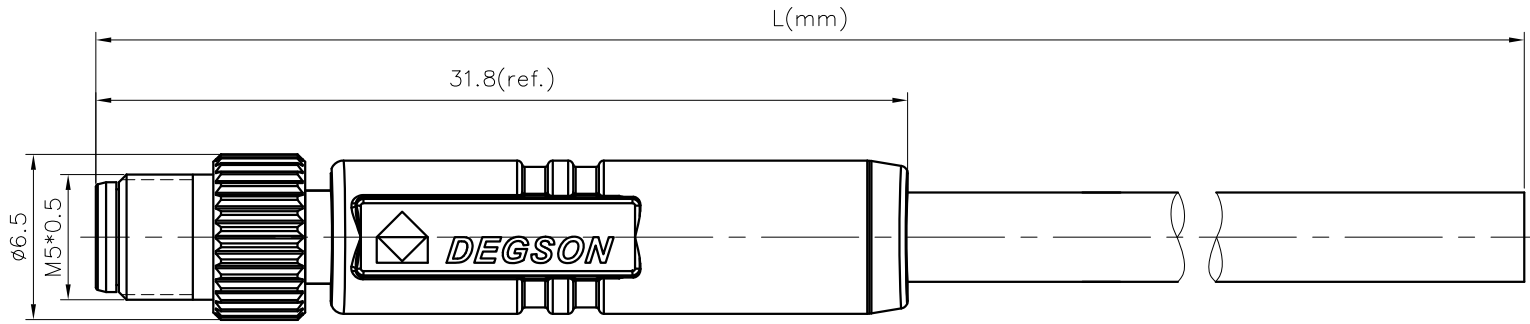
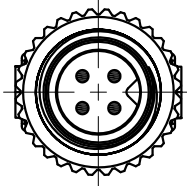


REVISION RECORD

REV	ECN	DESCRIPTION	DRFT	DATE
-----	-----	-------------	------	------



PM-M5A-XXP-MM-SL7XXX-00A(H)

Pin number: 03,04

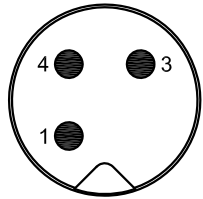
Cable jacket:
A: PVC UL2517
B: PUR UL20549

Cable length
01: 1M

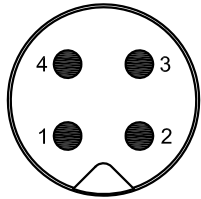
...
99: 99M
The line grows business trip:
01~05m: ± 50mm
06~10m: ± 100mm
11~30m: ± 200mm
31~99m: ± 500mm

NOTES:

1. Rated voltage/current : 60V / 1A
2. Withstanding voltage : 800V
3. Levels of protection: IP67
4. Cable specifications :
3pin A: 3C*26AWG/0.14mm², UL2517/UL20549
4pin A: 4C*26AWG/0.14mm², UL2517/UL20549
5. Wire connection mode: soldering
6. Operating temperature: -25°C~+80°C
7. RoHS Compliance
8. Tolerance : ±0.5mm



Pin Assignment Front View



Pin Assignment Front View

		4	Black
4	Black	3	Blue
3	Blue	2	White
1	Brown	1	Brown
Conn	Wire Color	Conn	Wire Color
Pin Out		Pin Out	

DETACHED LISTS	PART NO.: PMM5AXXPMMSL7XXX00AH		宁波高松电子有限公司 NINGBO DEGSON ELECTRICAL CO., LTD	
	APPD:	NAME: PM-M5A-XXP-MM-SL7XXX-00A(H)		
	CHKD:			
	DRFT: SQ 2019.05.11	TITLE: CUSTOMER DRAWING	REV: D0-1	
THIRD ANGLE PROJECTION		DRAWING NO.: XXXXXXXX-XX-CXX	SHEET: 1/1	
		MM (INCH)	DO NOT SCALE DRAWING	SCALE: 1:1