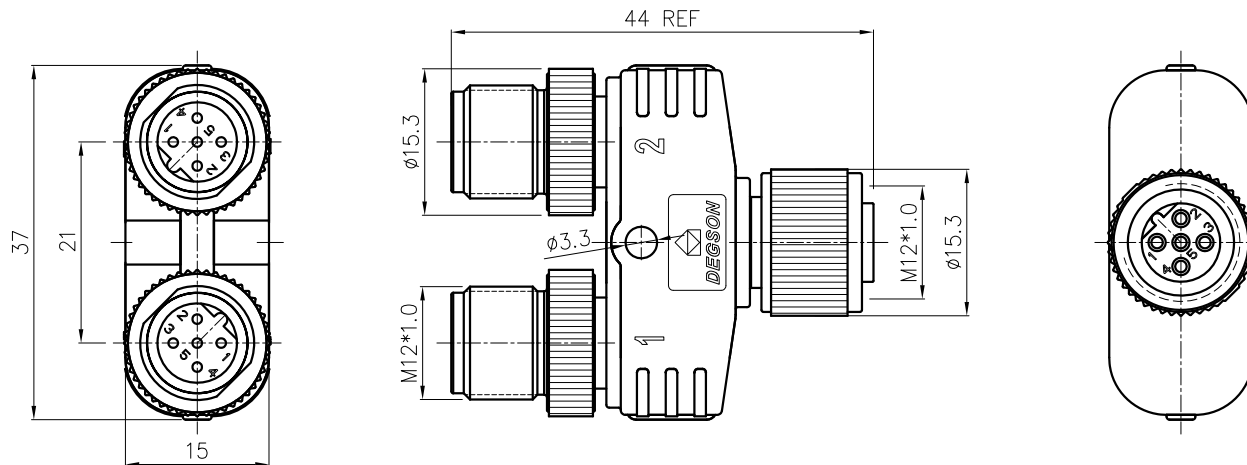
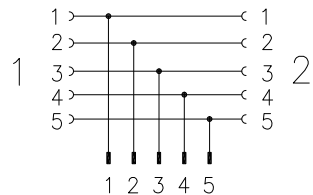


REVISION RECORD

REV	ECN	DESCRIPTION	DRFT	DATE
-----	-----	-------------	------	------



Circuit diagram:

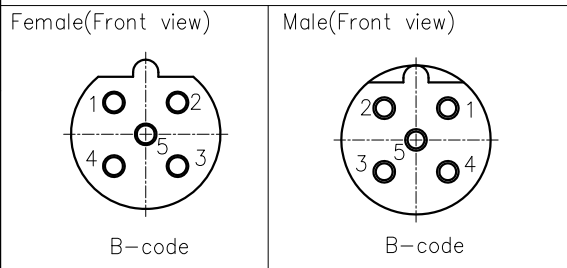


NOTES:

- 1.RoHS Compliance,
- 2.The Code direction is shown as diagram,
- 3.Housing material: PU(Color: black),
- 4.Contact body material: PU(Color: black),
- 5.Contact material: Copper alloy,(plating: gold)
- 6.0 Ring material: Silicone,(Color: green)
- 7.Screw material: Zinc alloy (plating: Ni),

Technique parameter

Rated voltage	60V
Rated current	4A
Insulation resistance	≥100MΩ
Withstanding voltage	800V AC
Operating temperature	-25°C~+85°C
Levels of protection	IP67
Cable OD	/



Dimensional tolerance (mm)				
≤30	30 ~ 60	60 ~ 100	100 ~ 150	>150
±0.20	±0.30	±0.50	±0.70	±1.00

DETACHED LISTS	PART NO.: FYM12B05FM12B05MT0100	宁波高松电子有限公司 NINGBO DEGSON ELECTRICAL CO., LTD		
	APPD:	NAME: FY-M12B-05F-M12B-05M-T-0100		
	CHKD:	DRFT: WYM 2019/05/23	TITLE: ASSEMBLY DRAWING	REV TO-1
	THIRD ANGLE PROJECTION		DRAWING NO.: 20000785	SHEET 1/1
		MM (INCH)	DO NOT SCALE DRAWING	SCALE 1:1