


REVISION RECORD				
REV	ECN	DESCRIPTION	DRFT	DATE

Technical characteristics:

Specifications
 DIN EN 60 664-1
 DIN EN 61 984

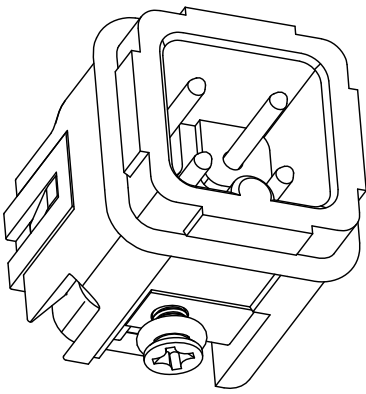
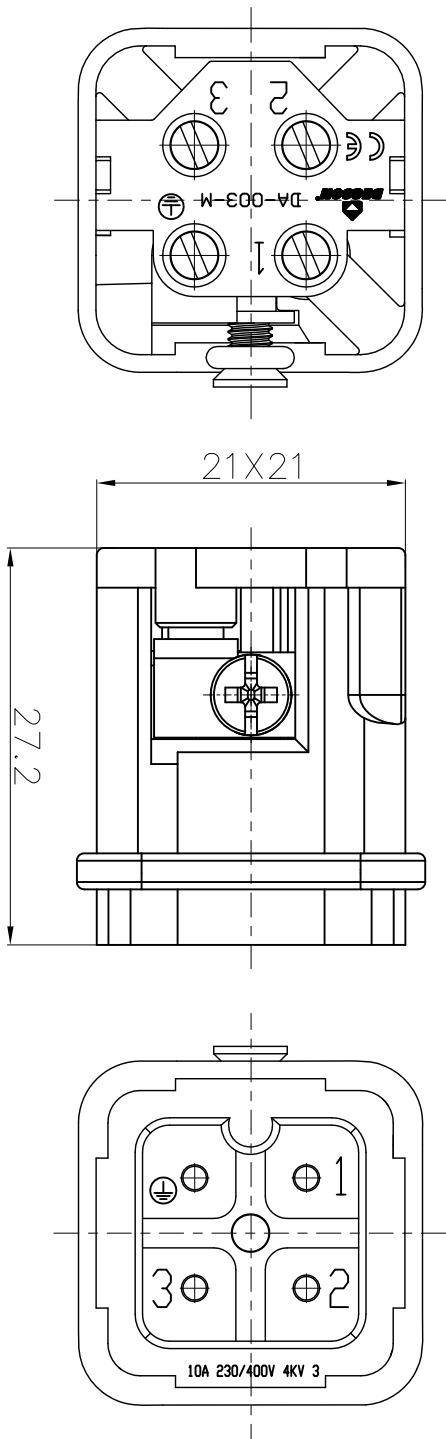
Approvals: 



Inserts

01. Number of contacts :3+PE
02. Rated Current :10A
03. Rated Voltage conductor-ground :230V
04. Rated Voltage conductor-conductor :400V
05. Pollution degree :3
06. Rated impulse voltage :4kv
07. or:10A/250V/4KV/3
08. Insulation resistance :≥10¹⁰
09. Material:Polycarbonate
10. Colour:RAL 7032(Light grey)
11. Rated voltage acc. to UL/GSA:600V
12. Limiting temperatures : -40°C~+125°C
13. Flammability acc. to UL94:V0
14. Mechanical working life (mating cycles) :≥500

Contacts

01. Material:Copper alloy
02. Surface:hard-silver plated
03. Contact resistance :≤2mΩ
04. Terminal :Screw terminal
05. Wire gauge :1.0-2.5mm² (AWG 18-14)
06. Tightening torque :0.25Nm
07. Stripping length :4.5mm
08. Rohs Compliance



DETACHED LISTS			
PART NO.:	DA003M	 NINGBO DEGSON ELECTRICAL CO.,LTD 宁波高松电子有限公司	
APPD.:		NAME: DA-003-M	
CHKD.:			
DRFT.:	Mr. Yang 2016.06.16	TITLE: CUSTOMER DRAWING	REV DO-1
THIRD ANGLE PROJECTION		DRAWING NO.: DA-003-M-E01	SHEET 1/1
		DO NOT SCALE DRAWING	SCALE 2:1

A 8 7 6 5 4 3 2 1