

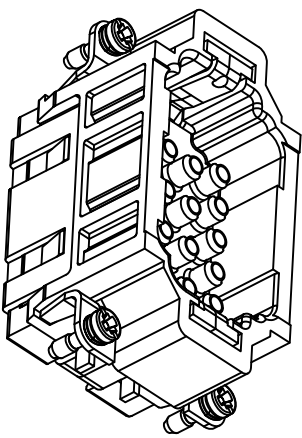
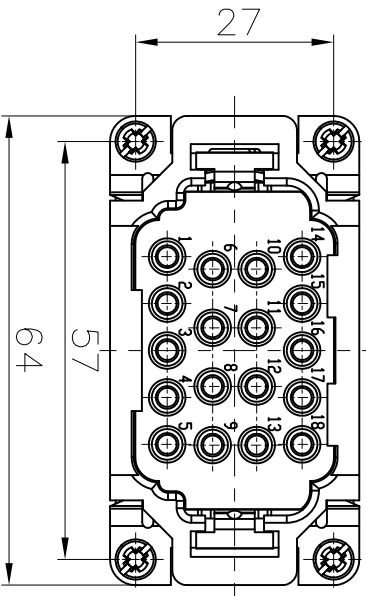
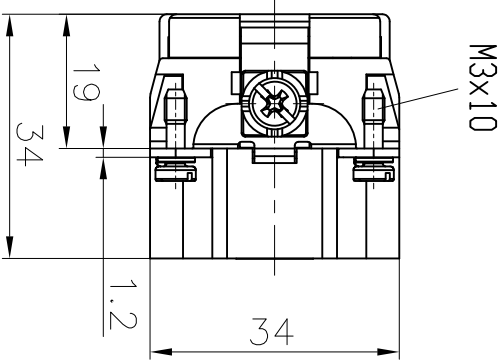
REVISION RECORD				
REV	ECN	DESCRIPTION	DRFT	DATE

Technical characteristics:  
 Specifications  
 DIN EN 60 664-1  
 DIN EN 61 984

- Inserts
- 01. Number of contacts : 18+PE
  - 02. Rated Current : 16A
  - 03. Rated Voltage : 500V
  - 04. Pollution degree : 3
  - 05. Rated impulse voltage : 6kV<sub>10</sub>
  - 06. Insulation resistance :  $\geq 10^{10}$
  - 07. Material: Polycarbonate
  - 08. Rated voltage acc. to UL/CSA: 600V
  - 09. Limiting temperatures : -40°C~+125°C
  - 10. Flammability acc. to UL94: V0
  - 11. Mechanical working life (mating cycles) :  $\geq 500$

- Contacts
- 01. Material: Copper alloy
  - 02. Surface: hard-silver plated
  - 03. Contact resistance :  $\leq 1m\Omega$
  - 04. Terminal : Crimp terminal
  - 05. Wire gauge : 0.14-4.0mm<sup>2</sup> (AWG 26-12)
  - 06. Stripping length : 7.5mm
  - 07. Rohs Compliance

Note: Crimp contact pins should order separately



DETACHED LISTS			
PART NO.:	/	NAME:	DEGSON® NINGBO DEGSON ELECTRICAL CO., LTD 宁波高松电子有限公司
APPD:		TITLE:	CUSTOMER DRAWING
CHKD:		DRAWING NO.:	DEE-018-MC-E01
DRFT:	Mr. Yang 2016.09.25	REV	DO-1
THIRD ANGLE PROJECTION		SHEET	1/1
		DO NOT SCALE DRAWING	SCALE
			1:1

A 8 7 6 5 4 3 2 1