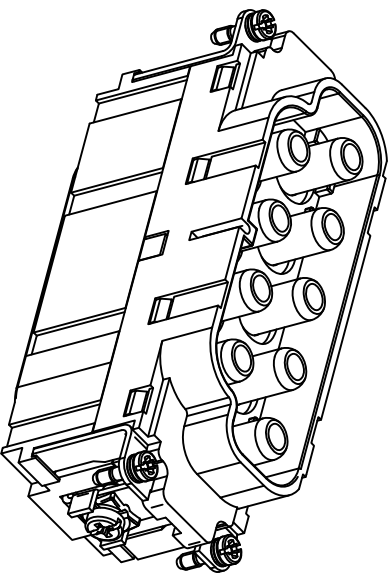
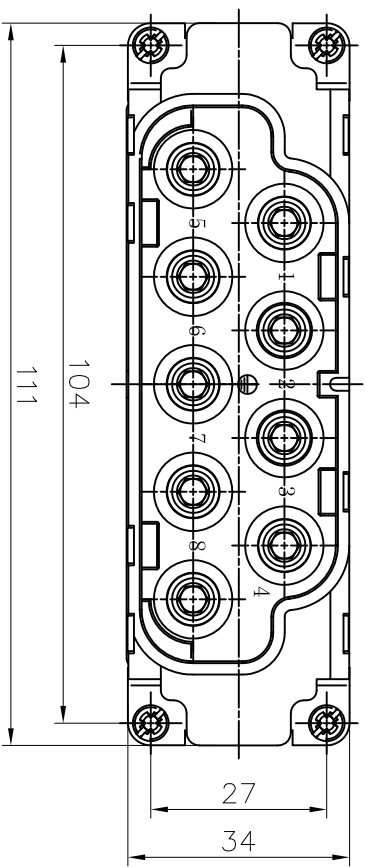
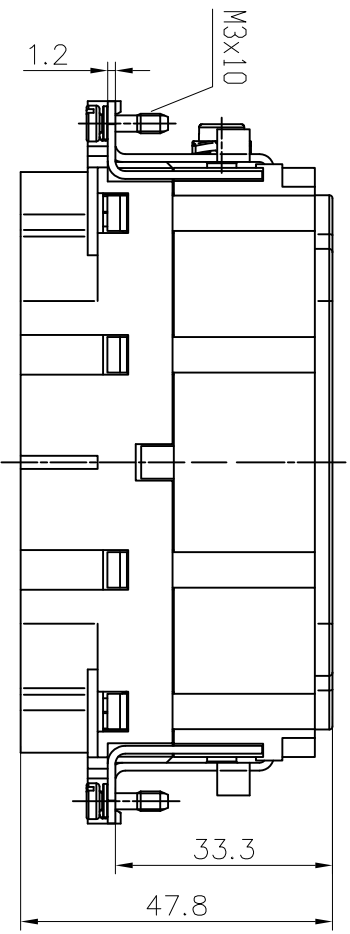


REVISION RECORD				
REV	ECN	DESCRIPTION	DRFT	DATE



Technical characteristics:

Specifications
 DIN EN 60 664-1
 DIN EN 61 984

Inserts

01. Number of contacts : 8/0+PE
02. Rated Current : 100A
03. Rated Voltage : 690V
04. Pollution degree : 3
05. Rated impulse voltage : 8kV₁₀
06. Insulation resistance : $\geq 10^9\Omega$
07. Material: Polycarbonate
08. Rated voltage acc. to UL: 600V
09. Rated Current acc. to UL: 82A
10. Limiting temperatures : -40°C~+125°C
11. Flammability acc. to UL94: V0
12. Mechanical working life (mating cycles) : ≥ 500

Contacts

01. Material: Copper alloy
02. Surface: hard-silver plated
03. Contact resistance : $\leq 0.5m\Omega$
04. Terminal : Axial Screw terminal
05. Wire gauge : 10-25mm² (AWG7-3)
06. Max. Insulation diameter: 11.4mm
07. Tightening torque :

mm ²	10	16	25
N.m	6	6	7

08. Stripping length : 13mm
09. Hexagonal driver: SW-4*100
10. RoHS Compliance

DETACHED LISTS			
PART NO.:	/	NAME:	DEGSON ® NINGBO DEGSON ELECTRICAL CO., LTD 宁波高松电子有限公司
APPD:		TITLE:	CUSTOMER DRAWING
CHKD:		DRAWING NO.:	/
DRFT:	Mr. Yang 2016.10.08	DO NOT SCALE DRAWING	SCALE
THIRD ANGLE PROJECTION		SCALE	1:1

