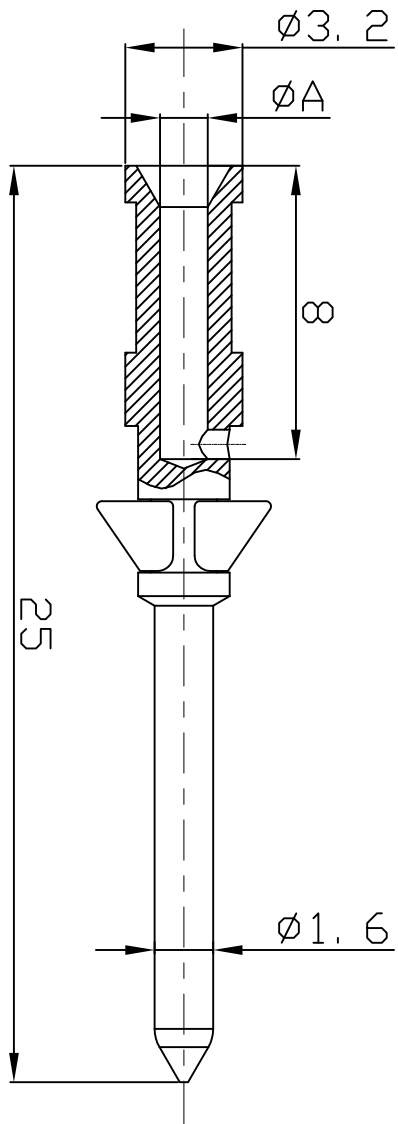


REVISION RECORD			
REV	ECN	DESCRIPTION	DRFT DATE

Contacts, silver-plated	(∅A)	Wire gauge		Recommended stripping length
		(mm ²)	(AWG)	
Type of products				
10A-SM-0.37	0.9	0.14-0.37	26-22	8mm
10A-SM-0.5	1.1	0.50	20	8mm
10A-SM-0.75	1.3	0.75	18	8mm
10A-SM-1.0	1.45	1.00	18	8mm
10A-SM-1.5	1.75	1.50	16	8mm
◆ 10A-SM-2.5	2.25	2.50	14	6mm



Crimp contacts

01. Material :Copper alloy
02. Surface :hard-silver plated
03. Contact resistance : $\leq 3m\Omega$
04. Terminal :Crimp connection
05. Wire gauge : 0.37-2.5mm² (AWG 22-14)
06. Rohs Compliance

PART NO.:		/	
APPD:		NAME:	
CHKD:		NINGBO DEGSON ELECTRICAL CO.,LTD	
DRFT: Mr. Yang 2016.08.08		TITLE: CUSTOMER DRAWING	
THIRD ANGLE PROJECTION		DRAWING NO.:	
DO NOT SCALE DRAWING		REV SHEET	
SCALE		DO DATE	
5:1		1/1	

8 7 6 5 4 3 2 1