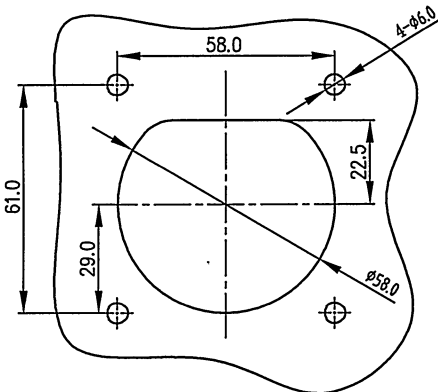
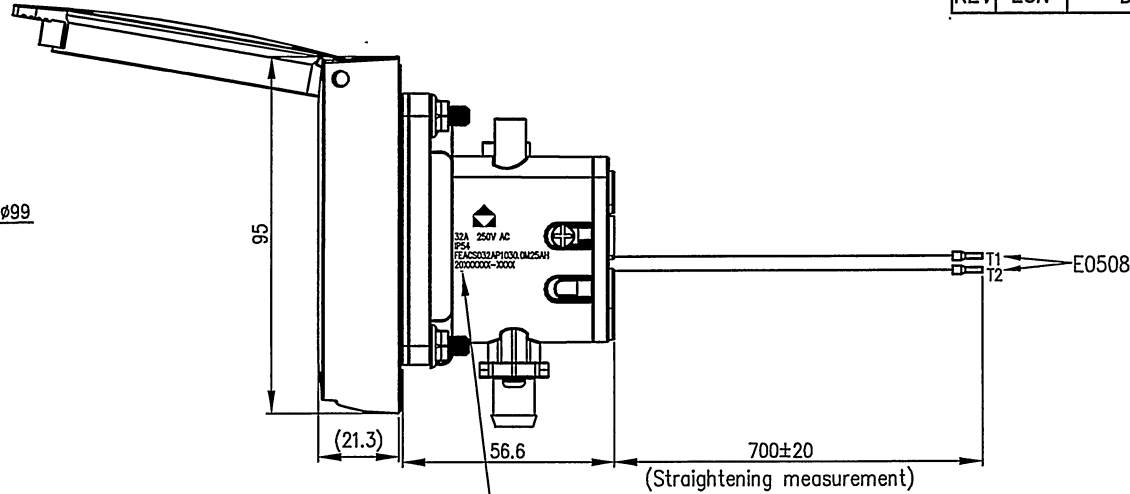
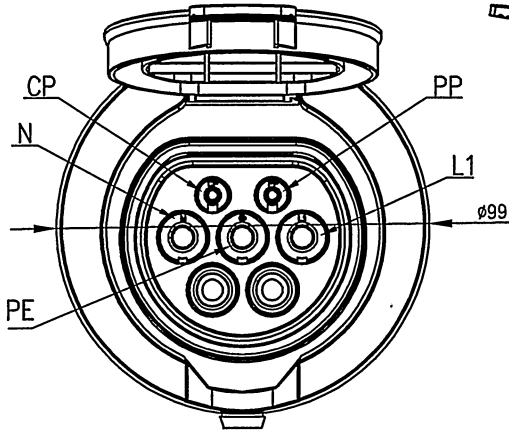
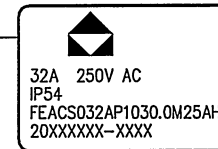


REVISION RECORD				
REV	ECN	DESCRIPTION	DRFT	DATE

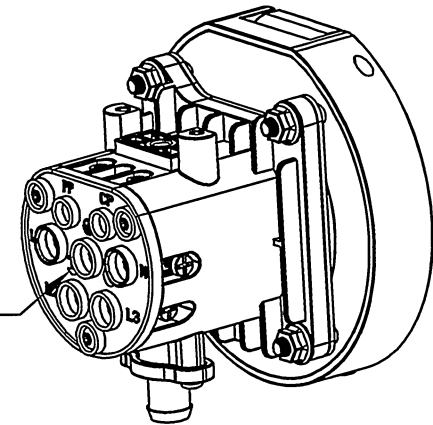


Installation plate dimension

Laser Printing:



Temperature sensor clip hole for NTC sensor



Technical data	
Rated voltage	250V AC
Rated current	32A
Temperature range	-30°C~+50°C
Insulate resistance	>5MΩ,500V DC 1min
Withstanding Voltage	L, N and PE 2500V AC 1min L and N 2500V AC 1min
Ingress protection rating	IP54
Mechanical Working Life (Mating Cycles)	10,000 Times
Standartd	IEC 62196-2:2016
Flame Class	UL 94V-0

Connection Mode:

L1	(6mm ²)	L1
N	(6mm ²)	N
PE	(6mm ²)	PE
PP	(0.75mm ²)	PP
CP	(0.75mm ²)	CP
NTC	White	T1
	White	T2

Attention:

The Thermistor is placed beside of L1

The Thermistor is NTC

(Specification :T= 25°C .Resistance = 10±1% Kohm).

The resistance decreases with increasing temperature

Size Measure Range	. XX	. X
≤6	±0.05	±0.10
6~30	±0.10	±0.20
30~120	±0.15	±0.30
120~400	±0.20	±0.50
400~1000	±0.30	±0.80
1000~2000	±0.50	±1.20
Angle Measure Range	. XX	. X
	±0.5°	±1.0°

PART NO.:	NINGBO DEGSON ELECTRICAL CO., LTD		
APPD: ZX 20191021	NAME: Socket-Outlet (32A AC single-phase)		
CHKD: DT 2019.10.21	FEAC-S-032A-P1-03-0.0M-25A(H)		
DRFT: LLL 2019-10-21	TITLE: Customer Drawing	REV	DO-1
DRAWING NO.:		SHEET	1/1
THIRD ANGLE PROJECTION		DO NOT SCALE DRAWING	SCALE 2:5