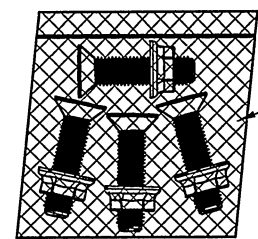
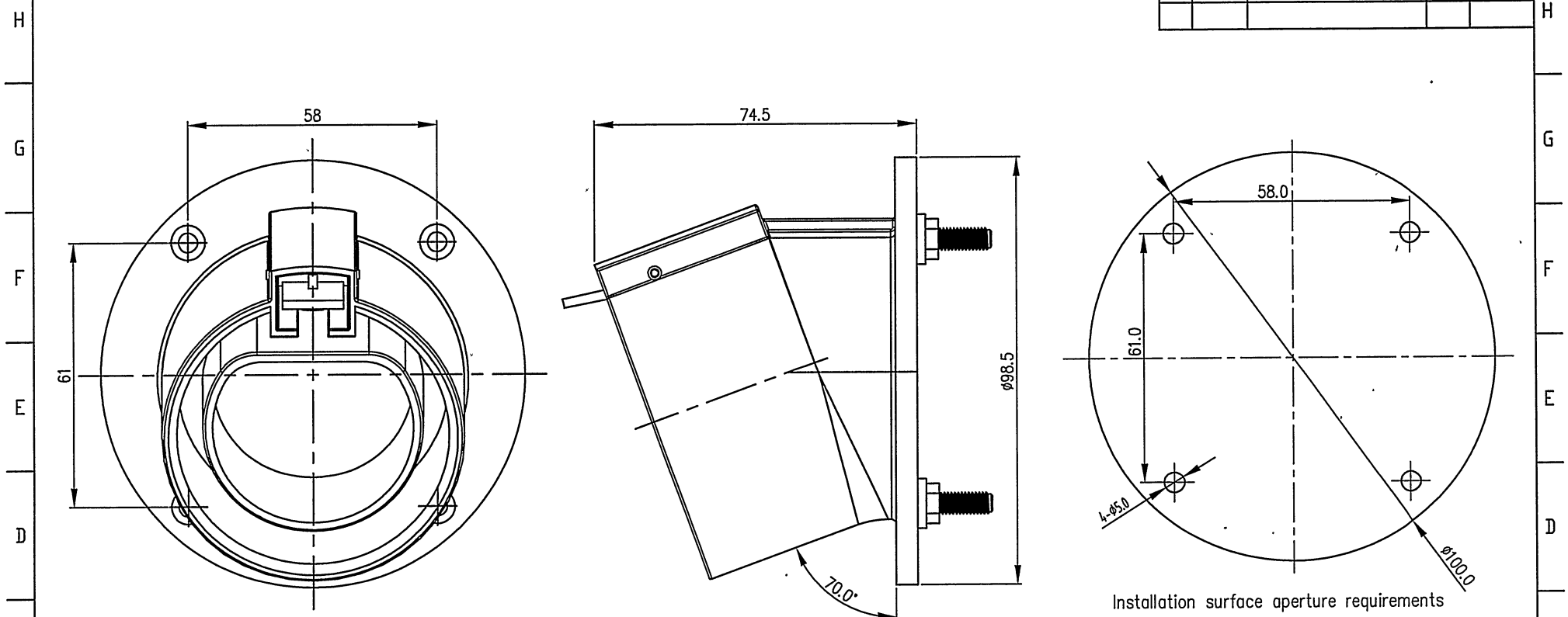


REVISION RECORD				
REV	ECN	DESCRIPTION	DRFT	DATE



M4\*25mm Material: SUS304  
The mounting screws are individually packaged

Size Measure Range	.XX	.X	MATERIAL	FINISHING	NOTES			
≤6	±0.05	±0.10	PART NO.:	宁波高松电子有限公司 DEGSON® NINGBO DEGSON ELECTRICAL CD, LTD	APPD: <i>HAB 2019.7.4</i> CHKD: <i>LPH 2019.07.04</i> DRFT: <i>LHW 2019.07.03</i>			
6~30	±0.10	±0.20				NAME: FEAC-V-03-02AH		
30~120	±0.15	±0.30				TITLE: CUSTOMER DRAWING	REV: D0-1	
120~400	±0.20	±0.50				DRAWING NO.: FEAC-V-C02	SHEET: 1/1	
400~1000	±0.30	±0.80				MM (INCH)	DO NOT SCALE DRAWING	SCALE: 1:1
1000~2000	±0.50	±1.20				THIRD ANGLE PROJECTION		
Angle Measure Range	.XX ±0.5°	.X ±1.0°						