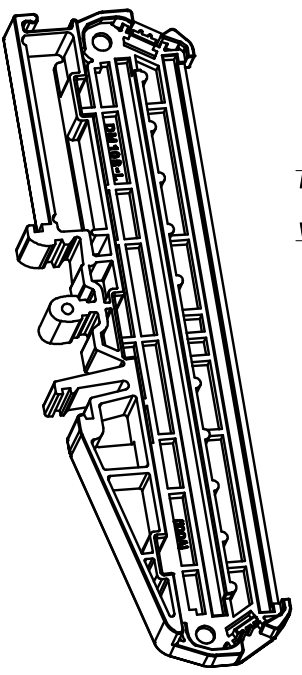
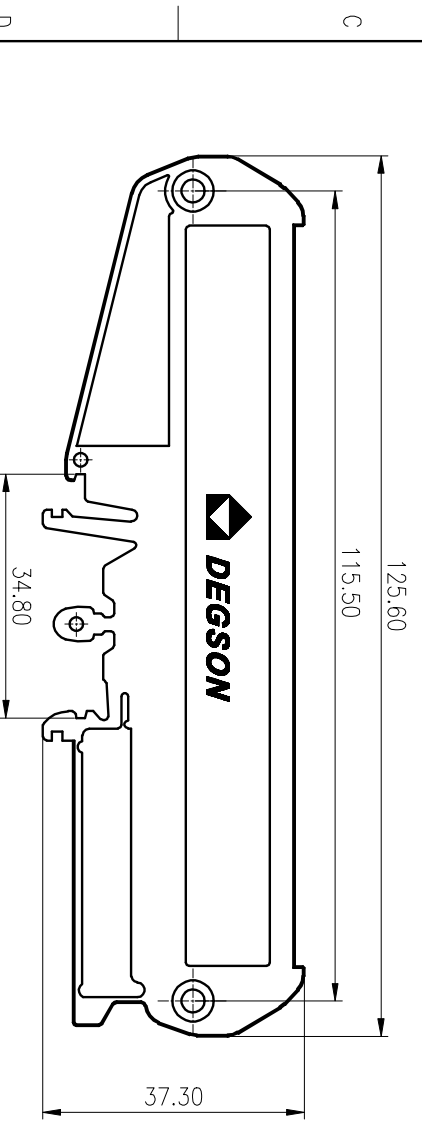
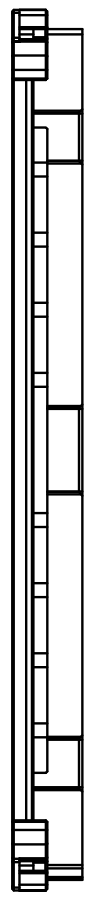
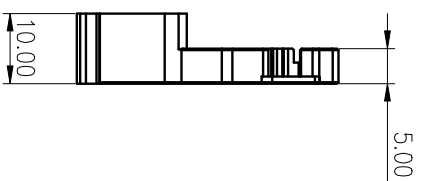
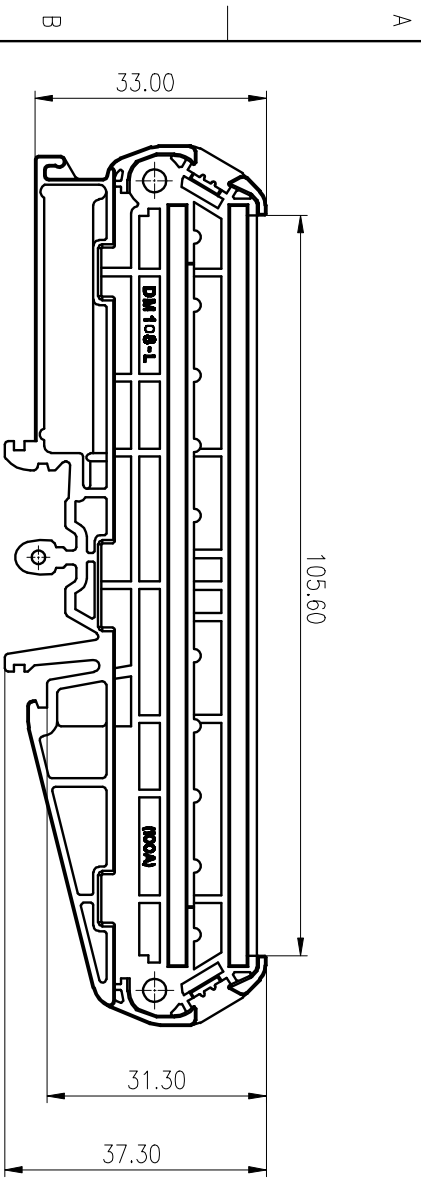


| Pitch Range | In mm | | In mm | | Nominal Dimension | | Range | | Tolerance | | | | |
|-------------|-------|-------|-------|-------|-------------------|-------|-------|-------|-----------|-----|------|-----|---------|
| | mm | In | mm | In | mm | In | mm | In | | | | | |
| 6 | Over | 6 | Over | 10 | Over | 30 | Over | 90 | Over | 100 | Over | 150 | 0.1/1.0 |
| 10 | TO | 10 | TO | 24 | TO | 30 | TO | 60 | TO | 100 | TO | 150 | < |
| ±0.15 | ±0.25 | ±0.30 | ±0.30 | ±0.30 | ±0.50 | ±0.70 | ±1.00 | ±1.30 | ±2.0 | | | | |



| ITEM | NAME OF PART | MATERIAL | NOTES |
|------|--------------|----------|----------|
| 1 | Cover-L | PA66 | UL94 V-0 |

Operating temperature(°C) -40~+105
符合RoHS标准/Conform to RoHS Yes

SURFACE: /

DEGSON® 宁波高松电子有限公司
NINGBO DEGSON ELECTRICAL CO., LTD

NAME: DM108-01P-1Y-111A(H) COVER-L

DRAWING NO.: DM108-C10

TYPE: CUSTOMER DRAWING

SCALE: 1:1 SHEET 1/1

| REV | ECN | DESCRIPTION | DRAFT | DATE |
|-----|-----|-------------|-------|------|
| | | | | |

1 2 3 4 5 6