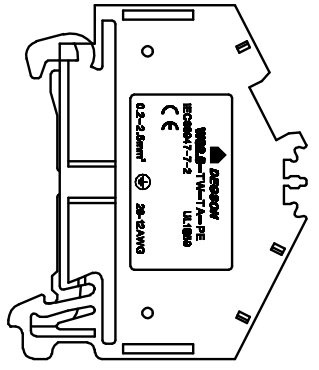
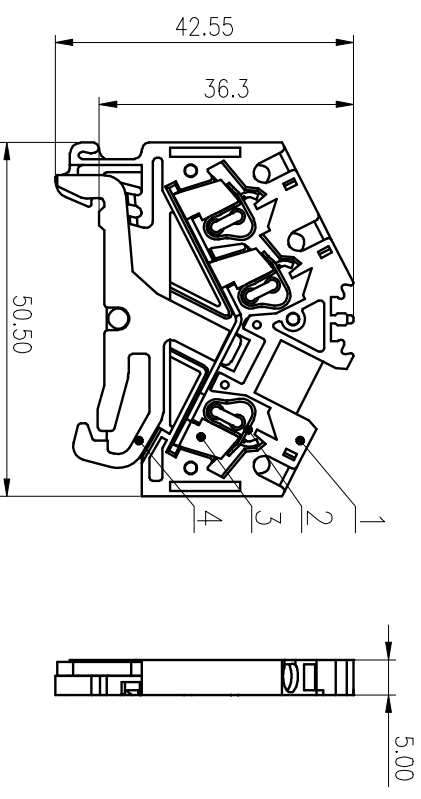


规格公差/General Tolerances(mm)	
0	>20
3	20-100
6	100-200
10	200-500
18	500-1000
30	1000-2000
50	2000-5000
80	5000-10000
120	10000-20000
180	20000-50000
250	50000-100000
315	100000-200000
400	200000-500000
500	500000-1000000
±0.12	±0.18
±0.22	±0.26
±0.31	±0.37
±0.57	±0.80
±0.93	±1.05
±1.15	±1.60
±2.20	±2.50



ITEM	NAME OF PART	MATERIAL	NOTES
4	Current contact	Copper alloy	Sn Plated
3	Current carrier	Copper	Sn Plated
2	Spring	Stainless steel	
1	Housing	PA66	UL94V-0

UL 标准/UL Standard:		B	C	D
额定电压/电势/Rated Voltage(V)/Current(A)		/	/	/
IEC 标准/IEC Standard:		/	/	/
过压类别/Overvoltage Category/污染等级/Pollution Degree		III/3	/	/
额定电压/电势/Rated Voltage(V)/Current(A)		/	/	/
额定脉冲电压(KV)/Rate Impulse Voltage(KV)		8.00	/	/
线径范围(硬线/软线)/Wire Range(rigid and flexible)(mm <sup>2</sup> /AWG)		0.2~2.5/28~14		
厚度/Pitch(mm)		5.00		
剥线长度/Stripping length(mm)		9		
使用温度范围/Operating Temperature(°C)		-40~+105		
符合RoHS环保要求/Conform to RoHS		Yes		
标准颜色编号/Standard color number:				
PANTONE / RAL		/		

MATERIAL:		SURFACE:
MAT NO.:	/	
STATUS:	/	
APPD:	LiGL 2020.05.27	NAME:
CHKD:	MooJ 2020.05.27	WS2.5-TW-TA-PE-01P-1C-00A(H)

DRAWING NO: WS2.5-TW-TA-PE-C02  
 DRAFT: ZhengQG 2020.05.29

REV	ECN	DESCRIPTION	DRAFT	DATE	SIZE: A4	TYPE: CUSTOMER DRAWING	SCALE: 1:1	SHEET
1								1/1
2								
3								
4								
5								
6								

NINGBO DEGSON ELECTRICAL CO., LTD  
 宁波高松电子有限公司