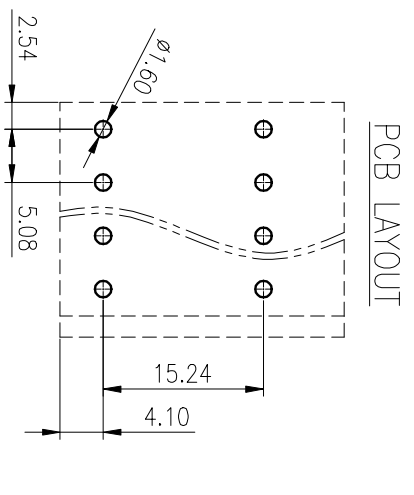
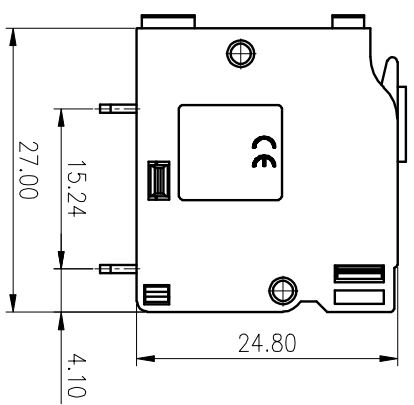
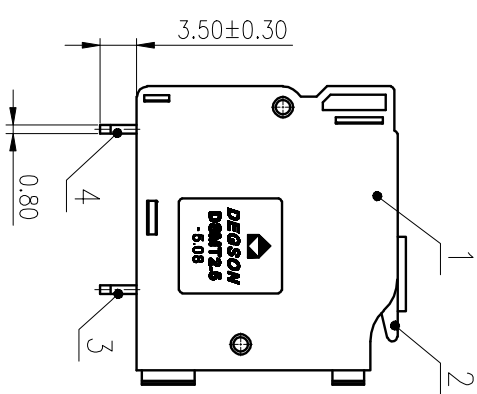
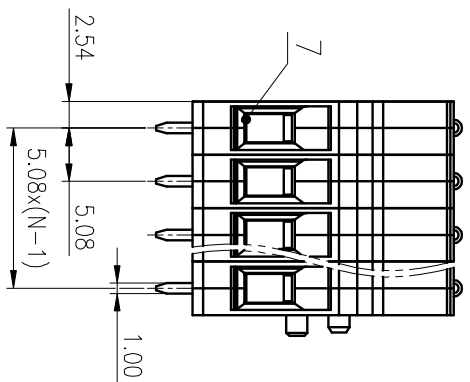
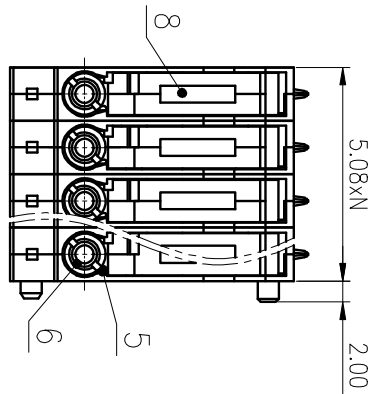


公差等级/General	Tolerances(mm)										公差等级/General			
0	>.3	>.6	>.10	>.18	>.30	>.50	>.80	>.120	>.180	>.250	>.315	>.400	0.1/10	
~	~	~	~	~	~	~	~	~	~	~	~	~	±Z	
3	±0.12	±0.18	±0.22	±0.26	±0.31	±0.37	±0.57	±0.80	±0.93	±1.05	±1.15	±1.60	±2.20	±2.50



8	Current carrier	Copper alloy	Sn Plated
7	Cage	Copper alloy	M3/Ni Plated
6	Screw	Copper alloy	M3/Sn Plated
5	Spring	Copper alloy	Ni Plated
4	Pin Herder 2	Copper alloy	Sn Plated
3	Pin Herder 1	Copper alloy	Sn Plated
2	Housing 2	PA66	UL94V-0
1	Housing 1	PA66	UL94V-0

ITEM	NAME OF PART	MATERIAL	NOTES
UL 标准/UL Standard:	B	C	D
额定电压/电涌/Rated Voltage(V)/Current(A)	300/15	/	300/70
IEC 标准/IEC Standard:			
过压类别/Overvoltage Category/污秽等级/Pollution Degree	III/3	III/2	II/2
额定电压/电涌/Rated Voltage(V)/Current(A)	320/15	320/15	630/15
额定脉冲电压(kV)/Rate Impulse Voltage(kV)	4.0	4.0	4.0
额定扭矩/Torque Tightening(N·m/Lb·in)	M3, 0.5/4.43		
线径范围(硬线和软线)/Wire Range(rigid and flexible)(mm²/AWG)	0.2~2.5(st)		
间距/Pitch(mm)/线数范围/Poles	5.08/N=01~32P		
剥线长度/Stripping length(mm)	8~9		
使用温度范围/Operating temperature(°C)	-40~+105		
符合RoHS标准/Conform to RoHS	Yes		

MATERIAL:	/	SURFACE:	/					
MAT NO.:	/							
STATUS:	/							
APPD:	LanChH 2020.03.25	NAME:	DSMT2.5-5.08-XXP-1Y-00A(H)					
CHKD:	YUZh 2020.03.25	DRAWING NO.:	10000758					
DRT:	BqYH 2020.03.25	TYPE:	CUSTOMER DRAWING					
REV	ECN	DESCRIPTION	DRT	DATE	SIZE: A4	SCALE: 1.5:1 SHEET	REV	TO
1					(mm)	1/1		

NINGBO DEGSON ELECTRICAL CO., LTD  
宁波高松电子有限公司