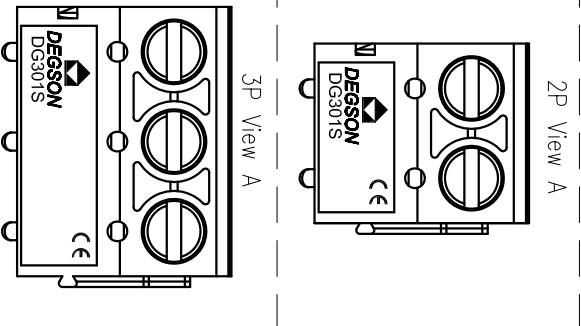
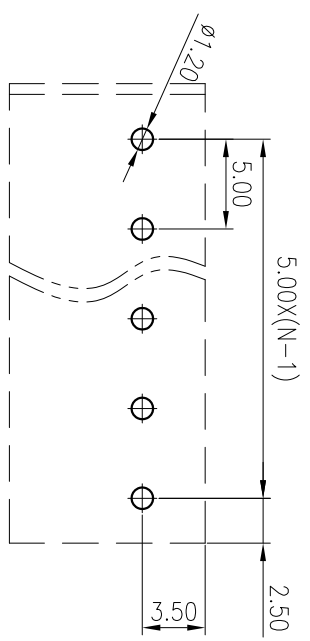
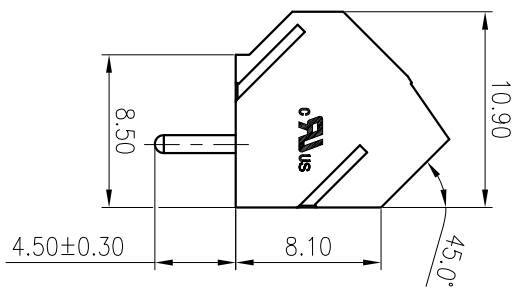
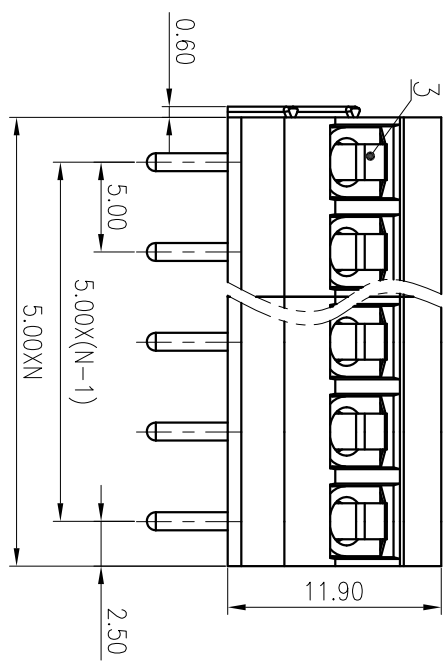
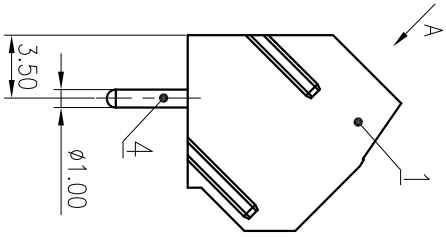
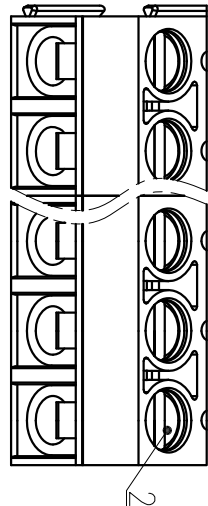


公差表/General Tolerances(mm)		0.1/10
0	>3	~
~	>6	~
~	>10	~
3	>18	~
6	>30	~
10	>50	~
18	>80	~
30	>120	~
50	>180	~
80	>250	~
120	>315	~
180	>400	~
250	>500	~
315	>630	~
400	>800	~
500	>1000	~
>500	>1250	~
F0.12 F0.18 F0.22 F0.26 F0.31 F0.37 F0.57 F0.80 F0.93 F1.05 F1.15 F1.60 F2.20 F2.50		±Z



ITEM	PART NAME	MATERIAL	NOTES
4	Pin	Copper alloy	Sn Plated
3	Spring	Stainless steel	/
2	Screw	Steel	Zn Plated
1	Housing	PA66	UL94V-0

UL 标准/UL Standard:	B	C	D
额定电压/电流/Rated Voltage(V)/Current(A)	300/15	/	300/10
IEC 标准/IEC Standard:			
过压类别/Overvoltage Category/污染等	III/3	III/2	II/2
额定电压/电流/Rated Voltage(V)/Current(A)	250/17.5	320/17.5	630/17.5
额定脉冲电压(KV)/Rate Impulse Voltage(KV)	4	4	4
额定脉冲转矩(Torque Tightening(N·m/Lb·in))	M2.6, 0.4	3.54	4
柔性范围(硬导线/硬导线)/Wire Range(rigid and flexible)(mm <sup>2</sup> /AWG)	0.2~1.5/22~14		
间距/Pitch(mm)/线数范围/Poles	5.00/N=02~24P		
剥线长度/Stripping length(mm)	5		
使用温度范围/Operating temperature(°C)	-40~+105		
符合RoHS环保要求/Conform to RoHS	Yes		

SURFACE: /

DEGSON® 宁波高松电子有限公司  
NINGBO DEGSON ELECTRICAL CO., LTD

NAME: DG301S-5.0-XXP-1Y-00A(H)

DRAWING NO.: DG301S-5.0-C01	REV	DO-4
SCALE: 2.5:1 SHEET	1/1	

REV	ECN	DESCRIPTION	DRFT	DATE