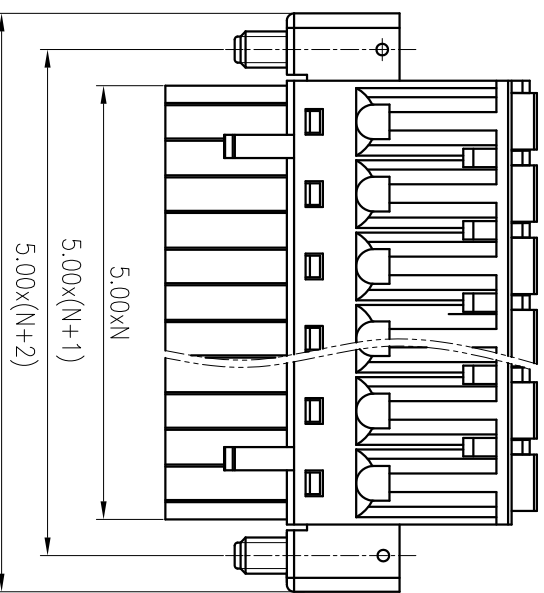
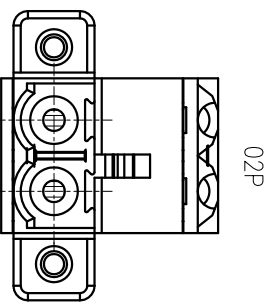
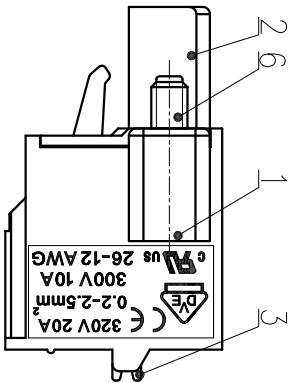
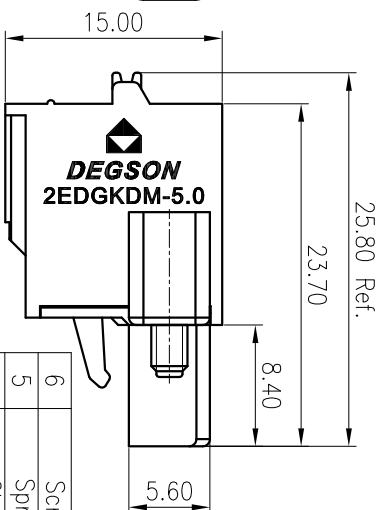
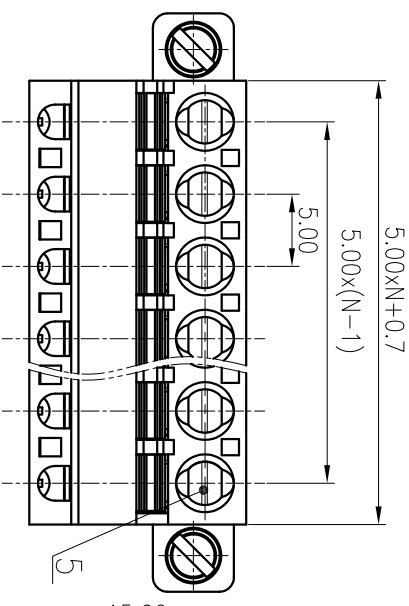
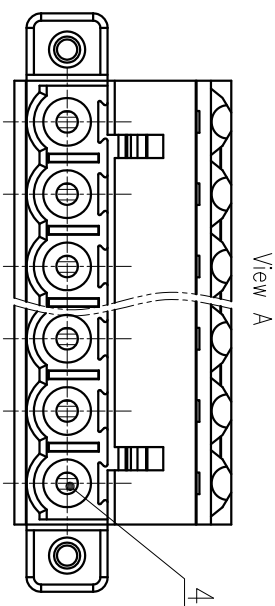


标注公差/General Tolerances(mm)	0	>3	>6	>10	>18	>30	>50	>80	>120	>180	>250	>315	>400	>500	0.1/10
±0.12	±0.18	±0.22	±0.26	±0.31	±0.37	±0.57	±0.80	±0.93	±1.05	±1.15	±1.60	±2.20	±2.50	±2	±Z



6	Screw	Steel	M2.5/Zn Plated
5	Spring	Stainless steel	/
4	Clamp	Copper alloy	Sn Plated
3	Button	PA66	UL94V-0
2	Cover	PA66	UL94V-0
1	Housing	PA66	UL94V-0

UL 标准/UL Standard:	B	C	D
额定电压/Rated Voltage(V)/Current(A)	300/10	/	300/10
EC 标准/EC Standard:			
过压类别/Overvoltage Category/污染等	III/3	III/2	II/2
级/Pollution Degree	/	/	/
额定电压/电流/Rated Voltage(V)/Current(A)	/	320/20	/
额定脉冲电压(KV)/Rate Impulse Voltage(KV)	/	4	/
螺丝扭矩/Torque Tightening(N·m/Lb.in)	M2.5, 0.4/3.54		
导线范围(硬线和软线)/Wire Range(rigid and flexible)(mm²/AWG)	0.2~2.5/26~12		
间距/Pitch(mm)/线数范围/Roles	5.0/N=02~22P		
剥线长度/Stripping length(mm)	9~10		
使用温度范围/Operating temperature(°C)	-40~+105		
符合RoHS环保要求/Conform to RoHS	Yes		

MATERIAL: /

MAT NO.: /

STATUS: /

APPD: LJ GL 2020.05.26

CHKD: Md EK 2020.05.26

DRT: LZH 2019.02.14

NAME: **DEGSON** 宁波高松电子有限公司
NINGBO DEGSON ELECTRICAL CO., LTD

2EDGKDM-5.0-XXP-1Y-00A(H)

DRAWING NO.: 2EDGKDM-5.0-C01

REV	ECN	DESCRIPTION	DRT	DATE
1	2	3	4	5

REV	ECN	DESCRIPTION	DRT	DATE
1	2	3	4	5

SCALE: 2:1 SHEET 1/1