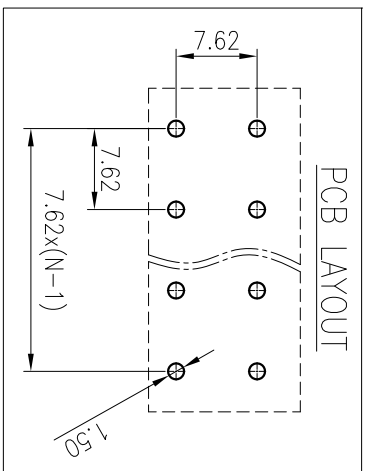
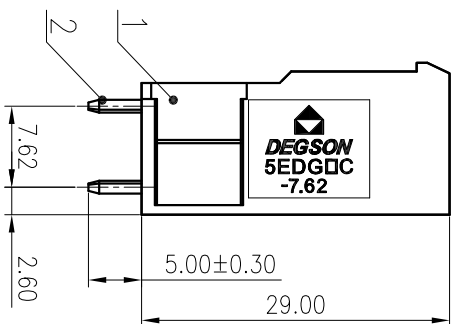
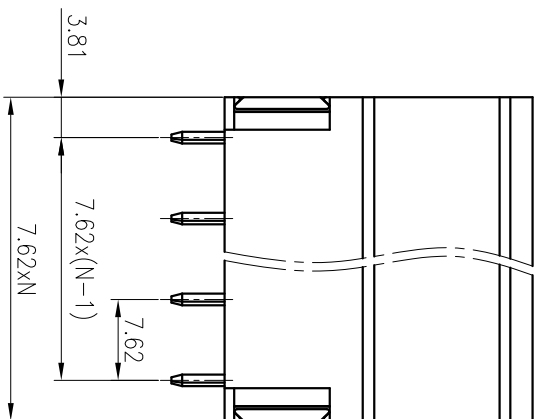
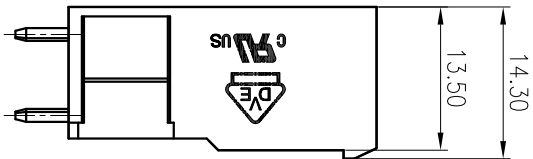
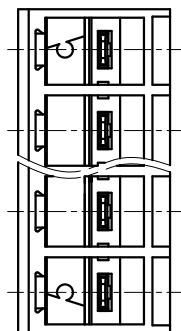


公差/General tolerances(mm)		公差/General tolerances(mm)	
0	>3	>10	>18
~	>6	>30	>50
3	10	~	~
6	18	~	~
±0.12	±0.22	±0.26	±0.31
±0.18	±0.37	±0.57	±0.80
±0.22	±0.80	±1.05	±1.19
±0.31	±1.05	±1.19	±1.60
±0.37	±1.60	±2.20	±2.50
±0.57	±2.50	±3.15	±4.00
±0.80	±4.00	±5.00	±5.00
±1.05	±5.00	±7.00	±10.00
±1.19	±7.00	±10.00	±15.00
±1.60	±10.00	±15.00	±20.00
±2.20	±15.00	±20.00	±25.00
±2.50	±20.00	±25.00	±30.00
±3.15	±30.00	±40.00	±50.00
±4.00	±40.00	±50.00	±60.00
±5.00	±50.00	±60.00	±70.00
±7.00	±60.00	±70.00	±80.00
±10.00	±70.00	±80.00	±90.00
±15.00	±80.00	±90.00	±100.00
±20.00	±90.00	±100.00	±110.00
±25.00	±100.00	±110.00	±120.00
±30.00	±110.00	±120.00	±130.00
±40.00	±120.00	±130.00	±140.00
±50.00	±130.00	±140.00	±150.00
±60.00	±140.00	±150.00	±160.00
±70.00	±150.00	±160.00	±170.00
±80.00	±160.00	±170.00	±180.00
±90.00	±170.00	±180.00	±190.00
±100.00	±180.00	±190.00	±200.00
±110.00	±190.00	±200.00	±210.00
±120.00	±200.00	±210.00	±220.00
±130.00	±210.00	±220.00	±230.00
±140.00	±220.00	±230.00	±240.00
±150.00	±230.00	±240.00	±250.00
±160.00	±240.00	±250.00	±260.00
±170.00	±250.00	±260.00	±270.00
±180.00	±260.00	±270.00	±280.00
±190.00	±270.00	±280.00	±290.00
±200.00	±280.00	±290.00	±300.00
±210.00	±290.00	±300.00	±310.00
±220.00	±300.00	±310.00	±320.00
±230.00	±310.00	±320.00	±330.00
±240.00	±320.00	±330.00	±340.00
±250.00	±330.00	±340.00	±350.00
±260.00	±340.00	±350.00	±360.00
±270.00	±350.00	±360.00	±370.00
±280.00	±360.00	±370.00	±380.00
±290.00	±370.00	±380.00	±390.00
±300.00	±380.00	±390.00	±400.00
±310.00	±390.00	±400.00	±410.00
±320.00	±400.00	±410.00	±420.00
±330.00	±410.00	±420.00	±430.00
±340.00	±420.00	±430.00	±440.00
±350.00	±430.00	±440.00	±450.00
±360.00	±440.00	±450.00	±460.00
±370.00	±450.00	±460.00	±470.00
±380.00	±460.00	±470.00	±480.00
±390.00	±470.00	±480.00	±490.00
±400.00	±480.00	±490.00	±500.00
±410.00	±490.00	±500.00	±510.00
±420.00	±500.00	±510.00	±520.00
±430.00	±510.00	±520.00	±530.00
±440.00	±520.00	±530.00	±540.00
±450.00	±530.00	±540.00	±550.00
±460.00	±540.00	±550.00	±560.00
±470.00	±550.00	±560.00	±570.00
±480.00	±560.00	±570.00	±580.00
±490.00	±570.00	±580.00	±590.00
±500.00	±580.00	±590.00	±600.00
±510.00	±590.00	±600.00	±610.00
±520.00	±600.00	±610.00	±620.00
±530.00	±610.00	±620.00	±630.00
±540.00	±620.00	±630.00	±640.00
±550.00	±630.00	±640.00	±650.00
±560.00	±640.00	±650.00	±660.00
±570.00	±650.00	±660.00	±670.00
±580.00	±660.00	±670.00	±680.00
±590.00	±670.00	±680.00	±690.00
±600.00	±680.00	±690.00	±700.00
±610.00	±690.00	±700.00	±710.00
±620.00	±700.00	±710.00	±720.00
±630.00	±710.00	±720.00	±730.00
±640.00	±720.00	±730.00	±740.00
±650.00	±730.00	±740.00	±750.00
±660.00	±740.00	±750.00	±760.00
±670.00	±750.00	±760.00	±770.00
±680.00	±760.00	±770.00	±780.00
±690.00	±770.00	±780.00	±790.00
±700.00	±780.00	±790.00	±800.00
±710.00	±790.00	±800.00	±810.00
±720.00	±800.00	±810.00	±820.00
±730.00	±810.00	±820.00	±830.00
±740.00	±820.00	±830.00	±840.00
±750.00	±830.00	±840.00	±850.00
±760.00	±840.00	±850.00	±860.00
±770.00	±850.00	±860.00	±870.00
±780.00	±860.00	±870.00	±880.00
±790.00	±870.00	±880.00	±890.00
±800.00	±880.00	±890.00	±900.00
±810.00	±890.00	±900.00	±910.00
±820.00	±900.00	±910.00	±920.00
±830.00	±910.00	±920.00	±930.00
±840.00	±920.00	±930.00	±940.00
±850.00	±930.00	±940.00	±950.00
±860.00	±940.00	±950.00	±960.00
±870.00	±950.00	±960.00	±970.00
±880.00	±960.00	±970.00	±980.00
±890.00	±970.00	±980.00	±990.00
±900.00	±980.00	±990.00	±1000.00



PCB LAYOUT

2	Pin	Copper	Sn Plated
1	Housing	PBT	UL94V-0
ITEM	NAME OF PART	MATERIAL	NOTES
UL 标准/UL Standard:		B	C
			D
额定电压/电流/Rated Voltage(V)/Current(A)		300/30	300/30
EC 标准/IEC Standard:			
过压类别/Overvoltage Category/污染等级		III/3	III/2
级/Pollution Degree			
额定电压/电流/Rated Voltage(V)/Current(A)		400/32	/
额定脉冲电压(KV)/Rate Impulse Voltage(KV)		/	4
间距/Pitch(mm)/线数范围/Poles		7.62/N=02~12P	
使用温度范围/Operating temperature(°C)		-40~+105	
符合RoHS环保要求/Conform to RoHS		Yes	

SURFACE:

MATERIAL:

MAT NO.: /

STATUS: /

APPD:

CHKD:

宁波高松电子有限公司
NINGBO DEGSON ELECTRICAL CO., LTD

NAME: 5EDGVC-7.62-XXP-1Y-00A(H)

DRAFT: CenMZ 2020.06.05

DRAWING NO.: 5EDGVC-7.62-C01

SIZE: A4

TYPE: CUSTOMER DRAWING

mm
inch

SCALE: 1.5:1 SHEET 1/1

REV

DESCRIPTION

DRAFT

DATE

SIZE: A4

mm
inch

TYPE: CUSTOMER DRAWING

SCALE: 1.5:1 SHEET 1/1

ECN

DESCRIPTION

DRAFT

DATE

SIZE: A4

mm
inch

TYPE: CUSTOMER DRAWING

SCALE: 1.5:1 SHEET 1/1

REV

DESCRIPTION

DRAFT

DATE

SIZE: A4

mm
inch

TYPE: CUSTOMER DRAWING

SCALE: 1.5:1 SHEET 1/1